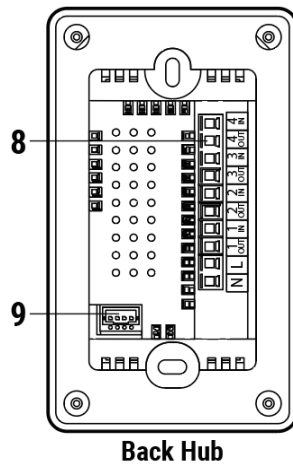
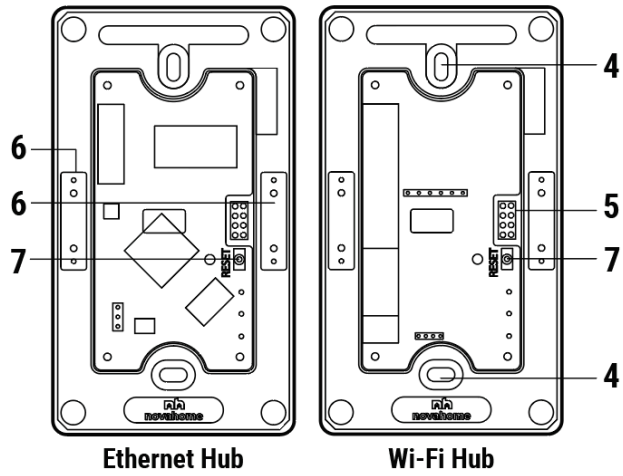
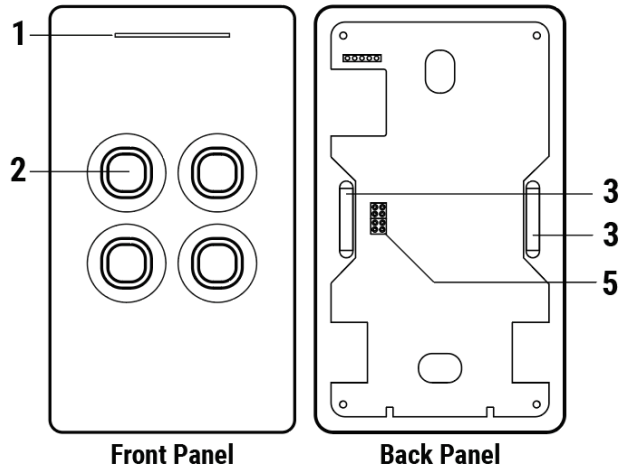


Switch-Wifi Wire Installation Guide

| | |
|--|--------------------|
| PRODUCT DETAILS | 2 |
| PRODUCT DIMENSIONS | 4 |
| IMPORTANT!!! Wall level finish and wall box mounting position: | 5 |
| A diagram of a wall with a door <small>Description automatically generated</small> | 5 |
| DEVICE TERMINALS | 6 |
| A diagram of a device <small>Description automatically generated</small> | 6 |
| Safety Reminders <small>⚠</small> | 7 |
| Before Evolv Switchhub installation: | 7 |
| Safety Reminders <small>⚠</small> | 8 |
| INSTALLATION | 8 |
| WIRING | 8 |
| Step 2: | 8 |
| Step 3: | 13 |

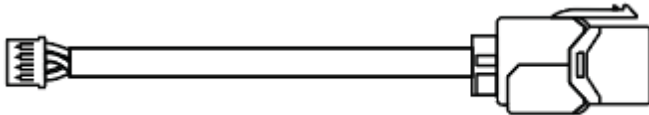
PRODUCT DETAILS



Labels:

1. Dimmable Status Led
Red - Offline
Blue - Online
2. Dimmable Touch Buttons
Red - ON
Blue - OFF/Standby
3. Magnet
4. Screw Hole
5. Pin
6. Metal Plate
7. Reset Button
8. Wire Terminal
9. Communication Port

Accessories:

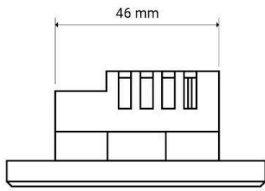


Communication Cable

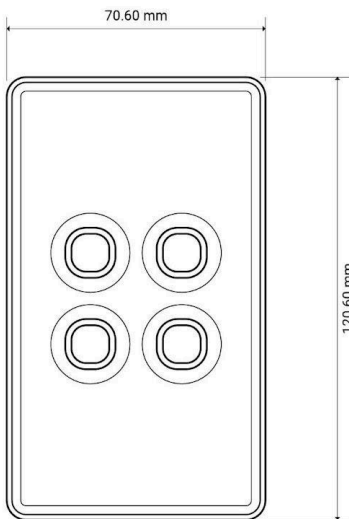


Wire Connectors

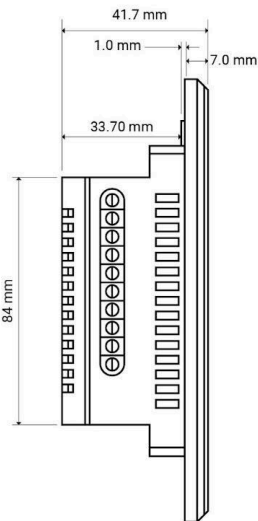
PRODUCT DIMENSIONS



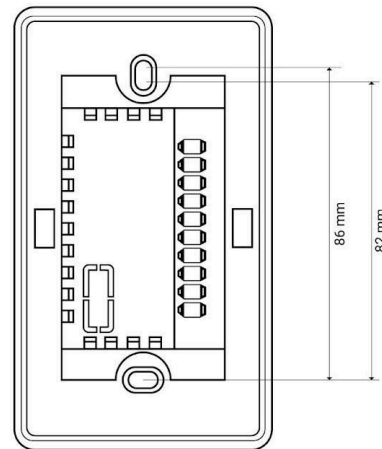
TOP VIEW



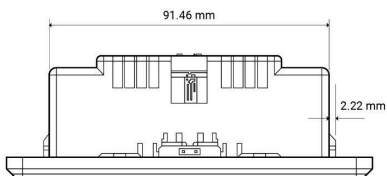
FRONT VIEW



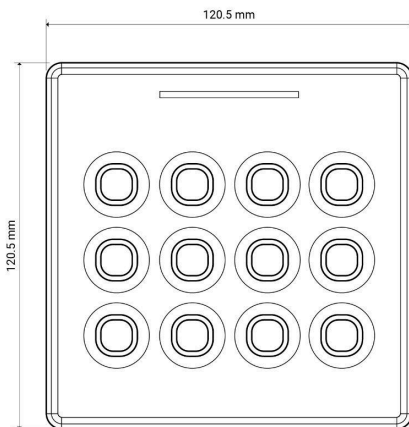
SIDE VIEW



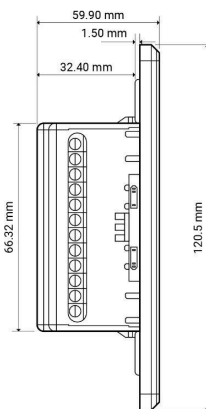
BACK VIEW



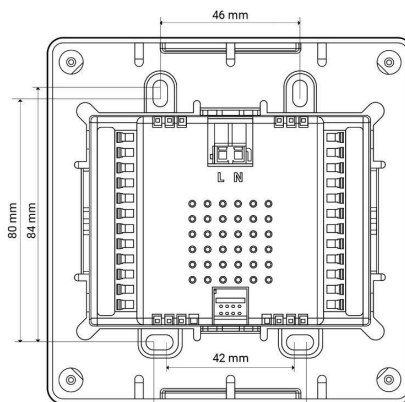
TOP VIEW



FRONT VIEW



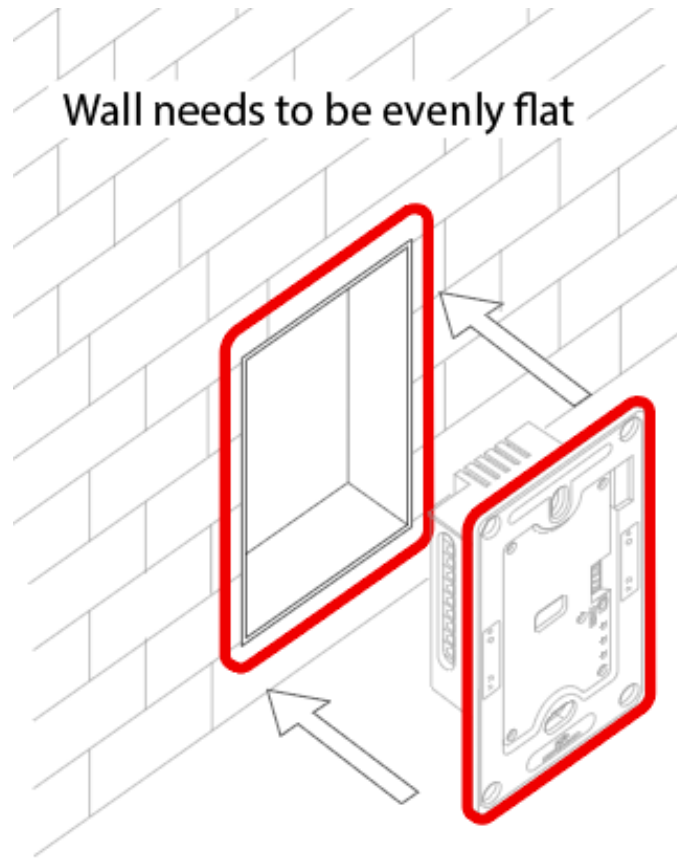
SIDE VIEW



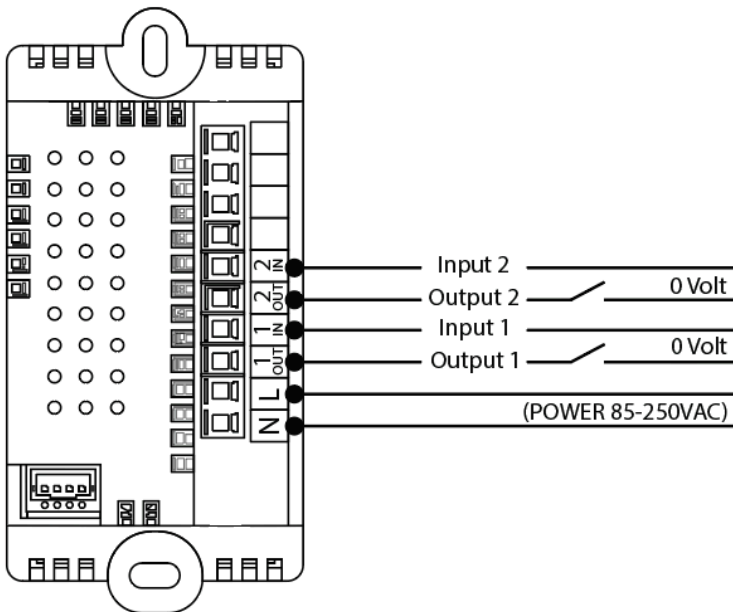
BACK VIEW

IMPORTANT!!! Wall level finish and wall box mounting position:

Wall surface where the Switchhub will be Installed needs to be evenly flat. This is to ensure that the touch panel magnetic will 100% attach properly to the surface of the Switchhub.



DEVICE TERMINALS



Voltage Free Output contact (dry contact), so different supply loads under 10A can be connected to the device.

Switch may work as push-button (momentary switch) and toggle switch.

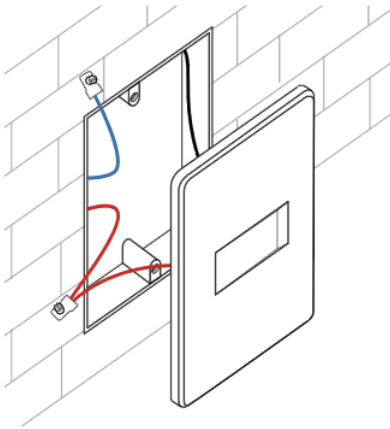
The terminals are thoughtfully designed to serve the same purpose as a traditional switch, this design enables functionality to integrate smart modules for various applications such as gate control, doorbell operation, curtain management, and more. Alternatively, they can be used as a direct switch, similar to a traditional switch.

Safety Reminders

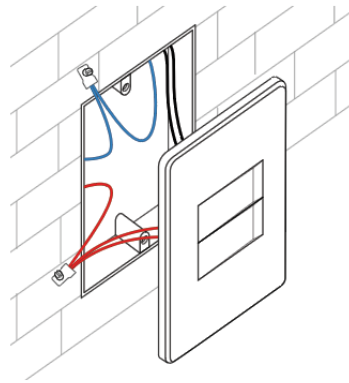
Installation of this device requires a great degree of skill and may be performed only by a licensed and qualified electrician. Please keep in mind that even when the device is turned OFF, voltage may still be present in the device's terminals.

Before Evolv Switchhub installation:

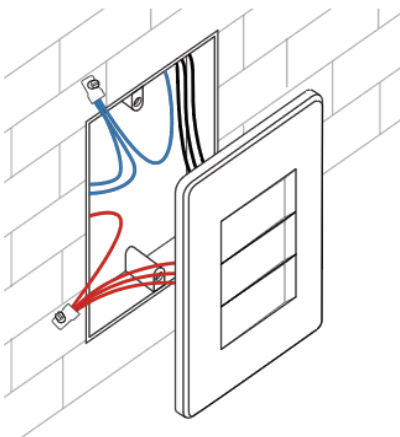
1 Button



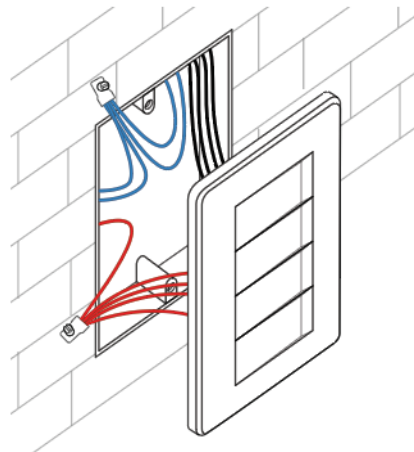
2 Button



3 Button



4 Button



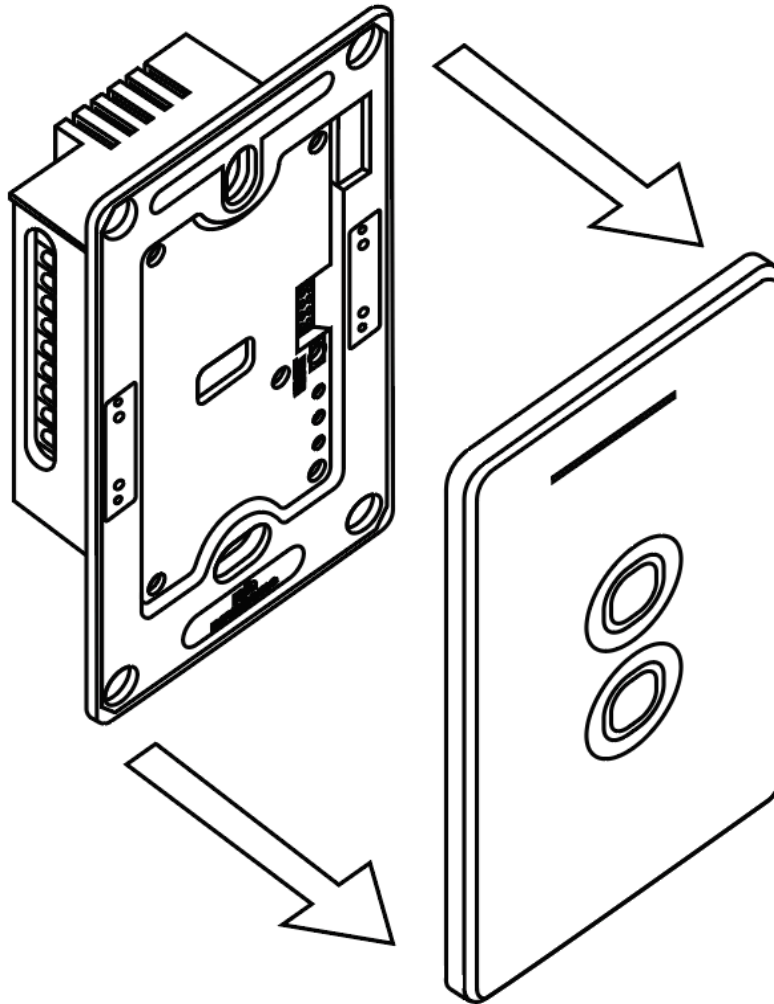
Step 1:

Safety Reminders

Cut off power supply at circuit breaker or fuse before installation to avoid electrocution that may cause fire, shock, or death.

INSTALLATION

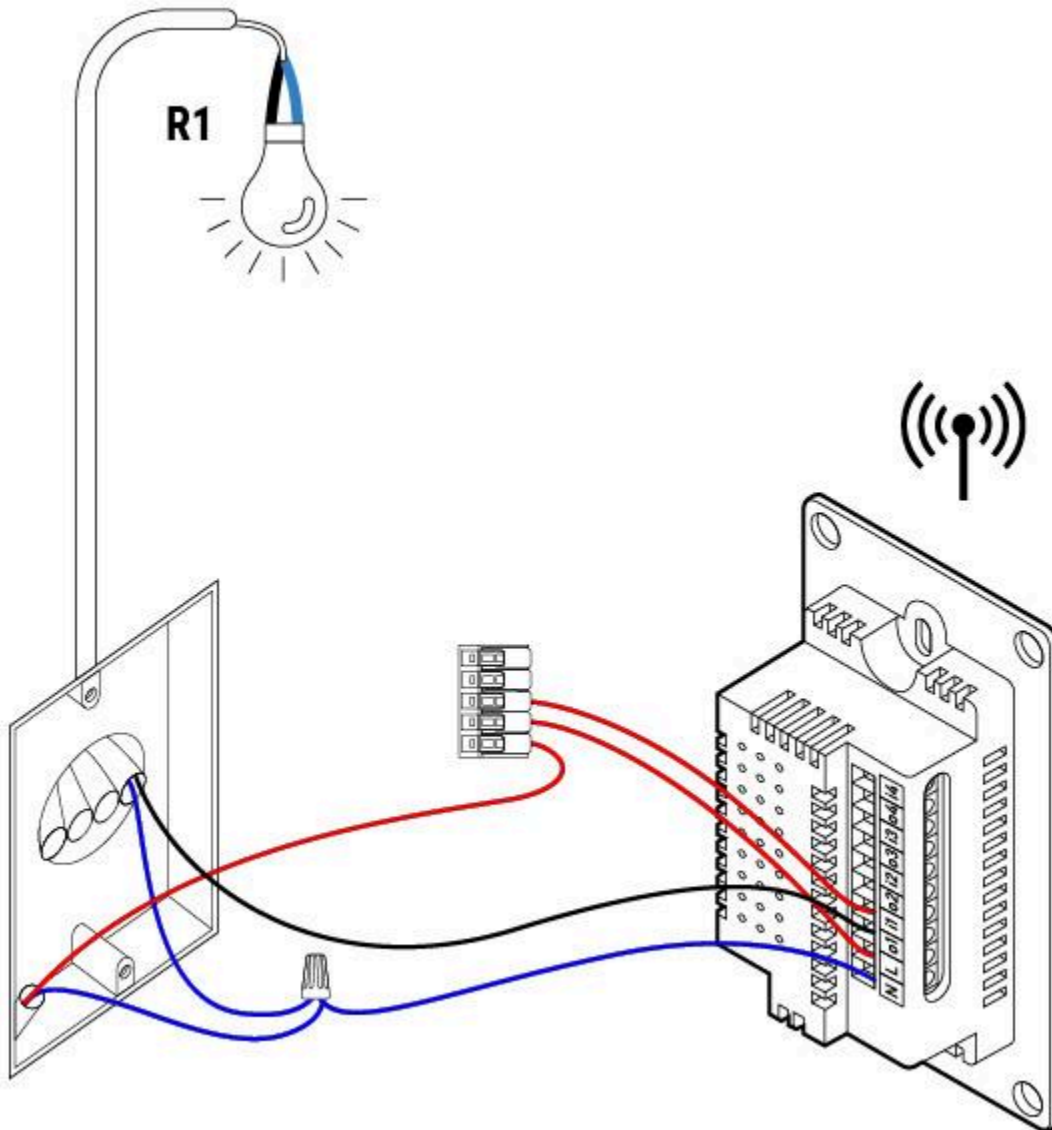
Pull the front panel manually to detach.



WIRING

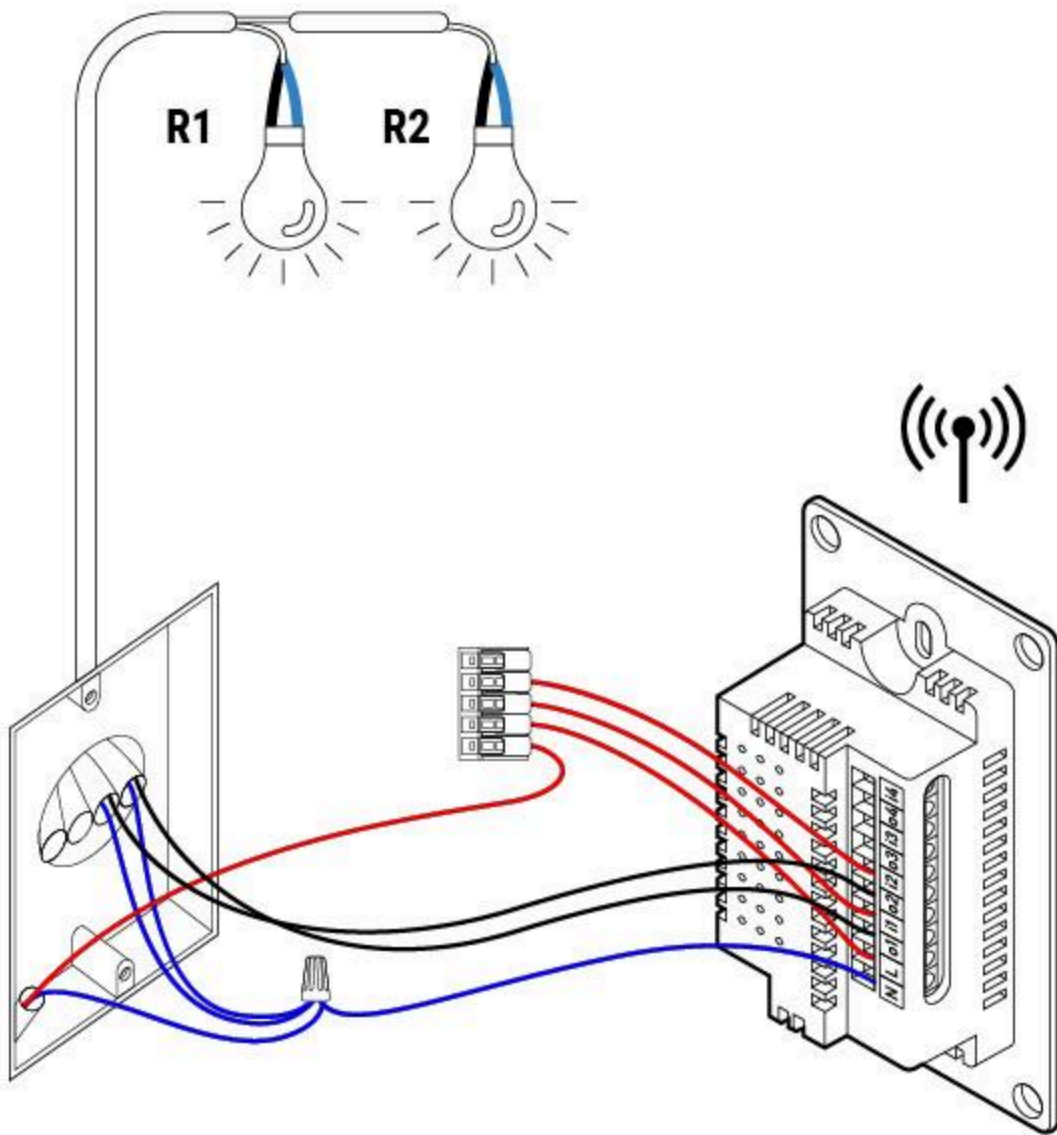
Step 2:

Wiring for 1-4 Gang



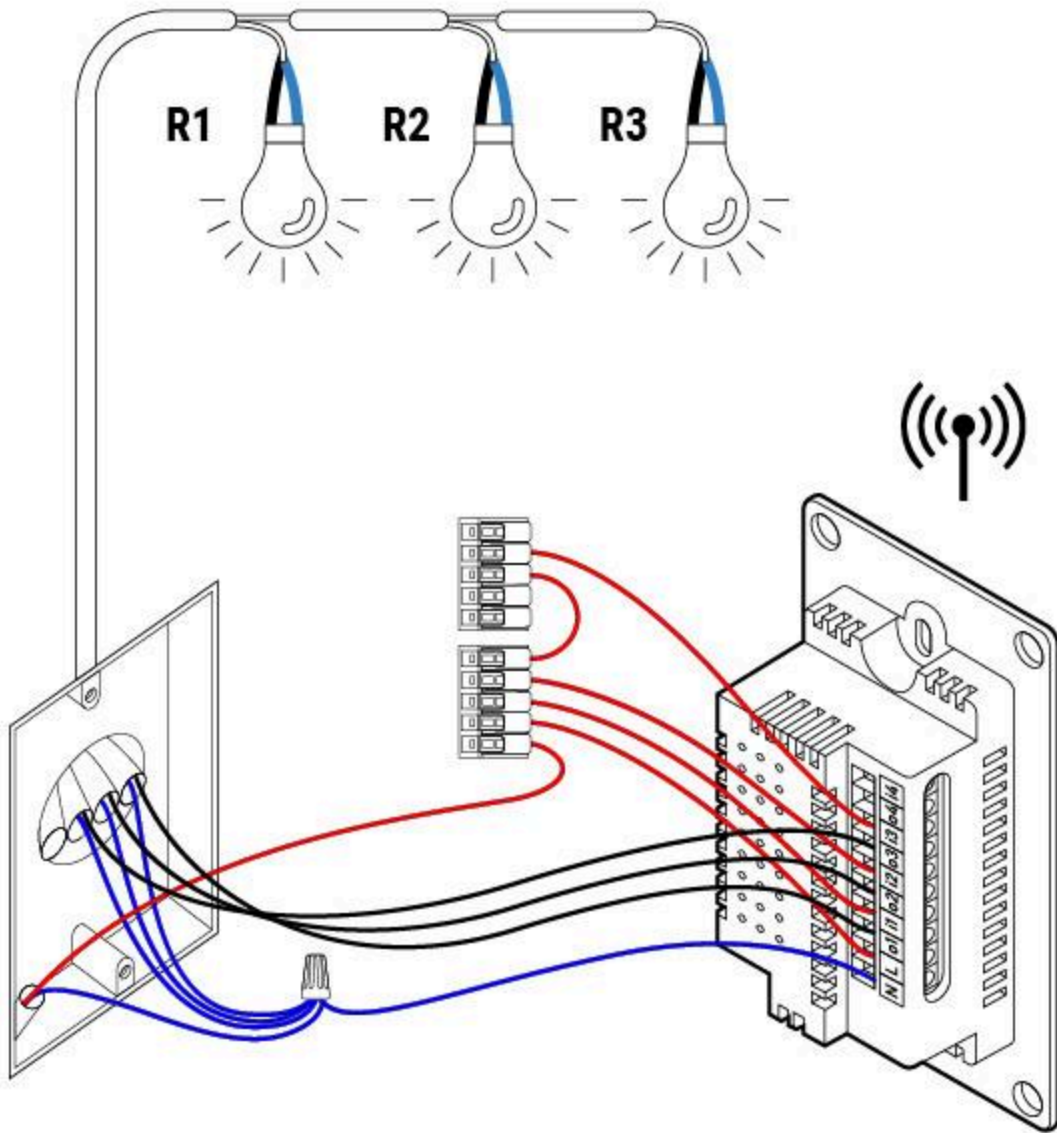
1 Gang

Red - Power Line (L)
Black - Load Line (R)
Blue - Neutral Line(N)



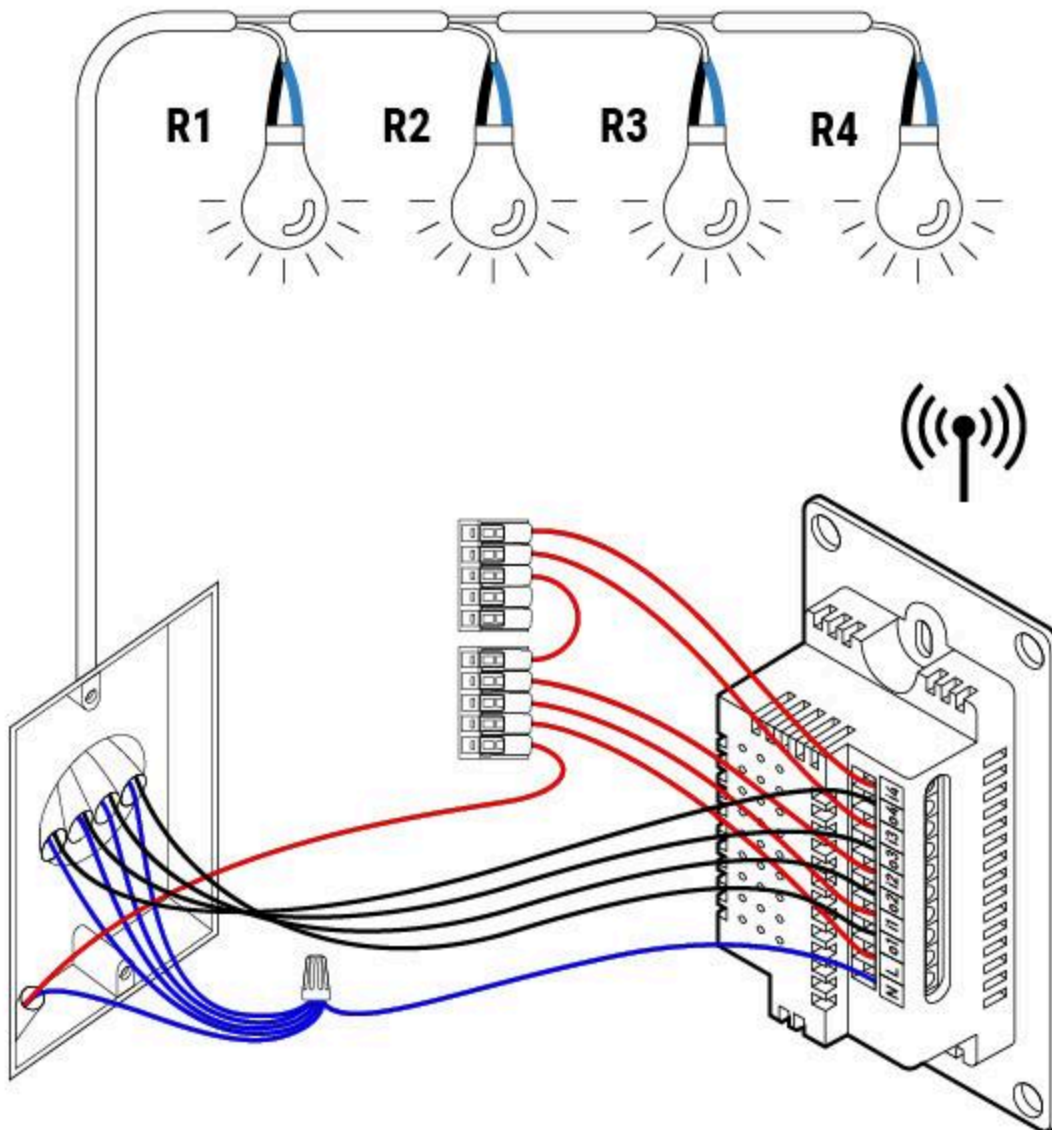
2 Gang

Red - Power Line (L)
Black - Load Line (R)
Blue - Neutral Line(N)



3 Gang

Red - Power Line (L)
Black - Load Line (R)
Blue - Neutral Line(N)



4 Gang

Red - Power Line (L)
Black - Load Line (R)
Blue - Neutral Line(N)

Step 3:

Insert the hub into the switchbox. Secure the hub with top and bottom screws. Attach the magnetic front Switch panel to the hub.

