

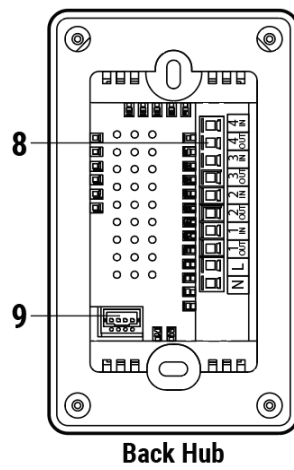
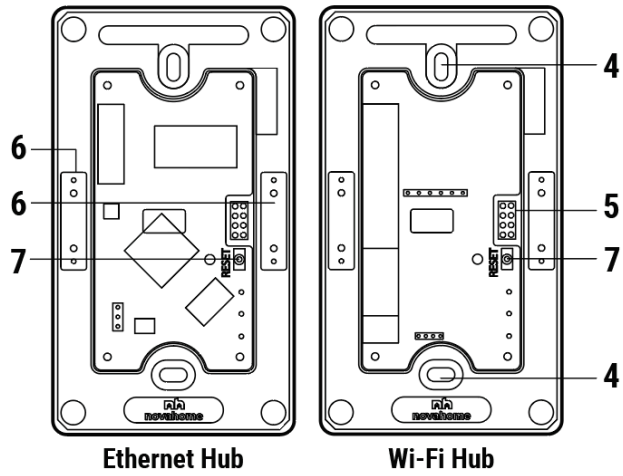
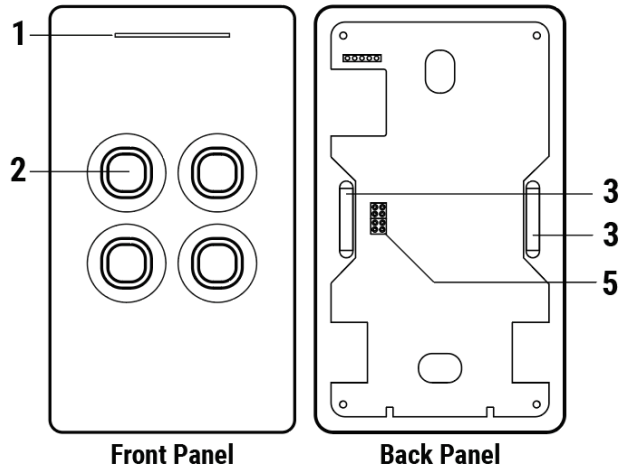


Ethernet Wire Installation Guide

PRODUCT DETAILS	2
PRODUCT DIMENSIONS	4
IMPORTANT!!! Wall level finish and wall box mounting position:	5
DEVICE TERMINALS	6
A diagram of a deviceDescription automatically generated	6
Novahome Communication Cable manual assembly diagram (optional)	7
Safety Reminders 	8
Before Evolv Switchub installation:	8
Safety Reminders 	9
INSTALLATION	9
WIRING	10
Step 2	10
Step 3	14

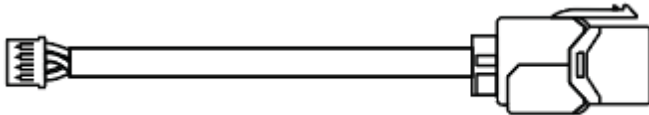
PRODUCT DETAILS



Labels:

1. Dimmable Status Led
Red - Offline
Blue - Online
2. Dimmable Touch Buttons
Red - ON
Blue - OFF/Standby
3. Magnet
4. Screw Hole
5. Pin
6. Metal Plate
7. Reset Button
8. Wire Terminal
9. Communication Port

Accessories:

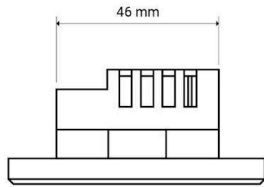


Communication Cable

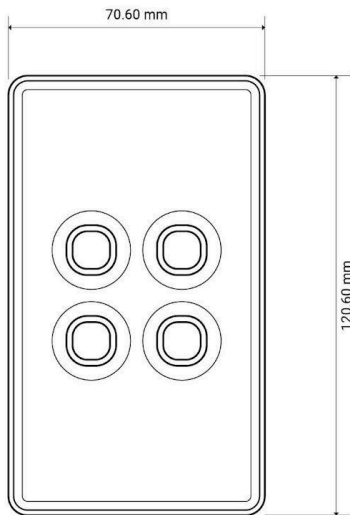


Wire Connectors

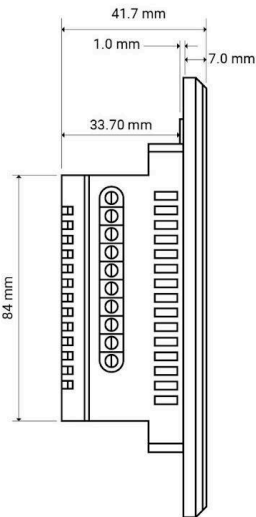
PRODUCT DIMENSIONS



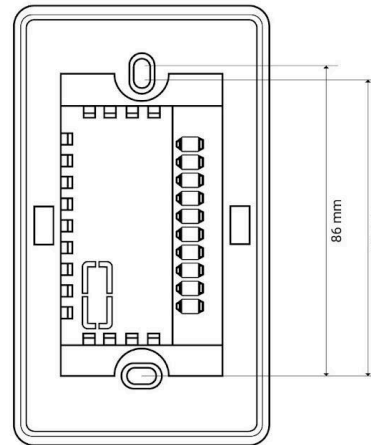
TOP VIEW



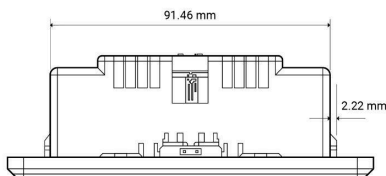
FRONT VIEW



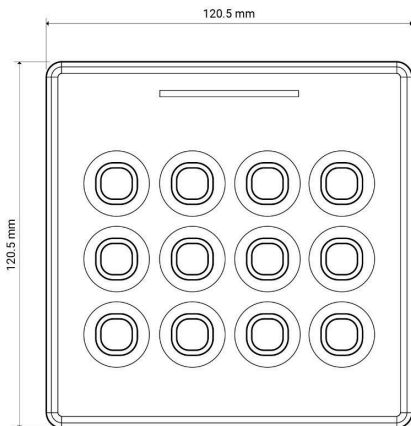
SIDE VIEW



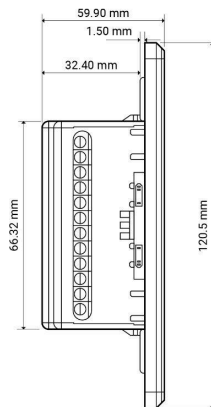
BACK VIEW



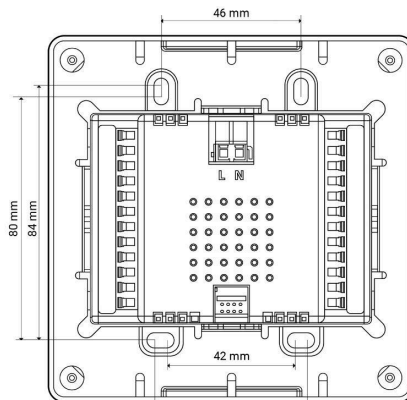
TOP VIEW



FRONT VIEW



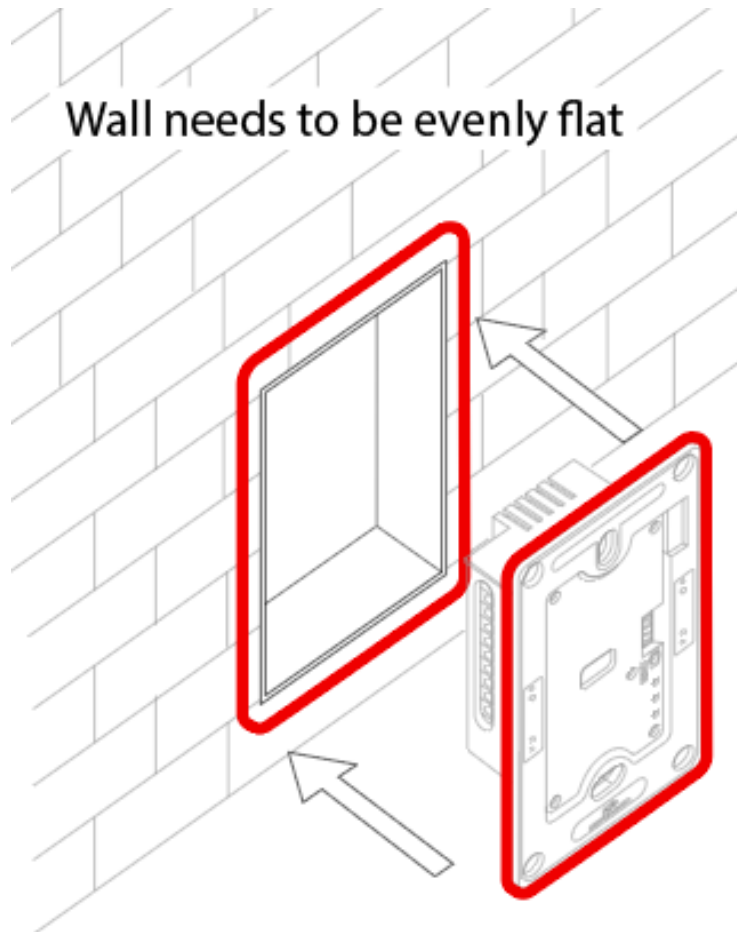
SIDE VIEW



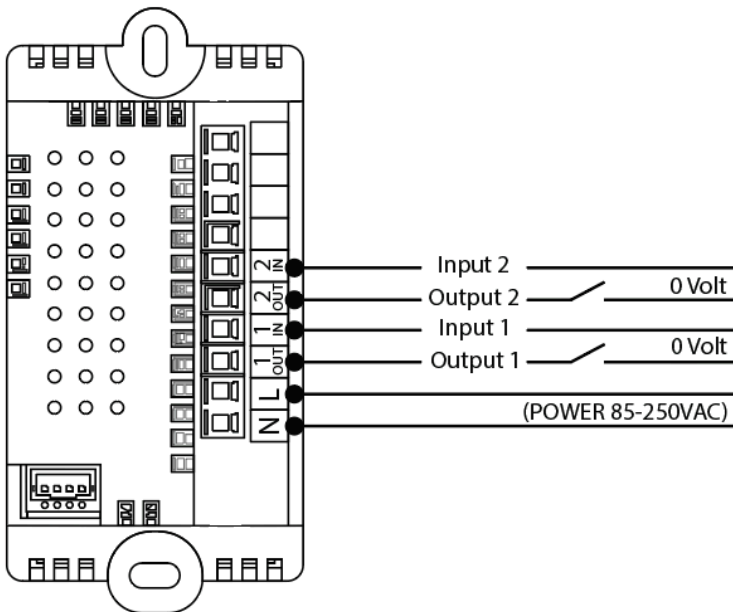
BACK VIEW

IMPORTANT!!! Wall level finish and wall box mounting position:

Wall surface where the Switchhub will be Installed needs to be evenly flat. This is to ensure that the touch panel magnetic will 100% attach properly to the surface of the Switchhub.



DEVICE TERMINALS



Voltage Free Output contact (dry contact), so different supply loads under 10A can be connected to the device.

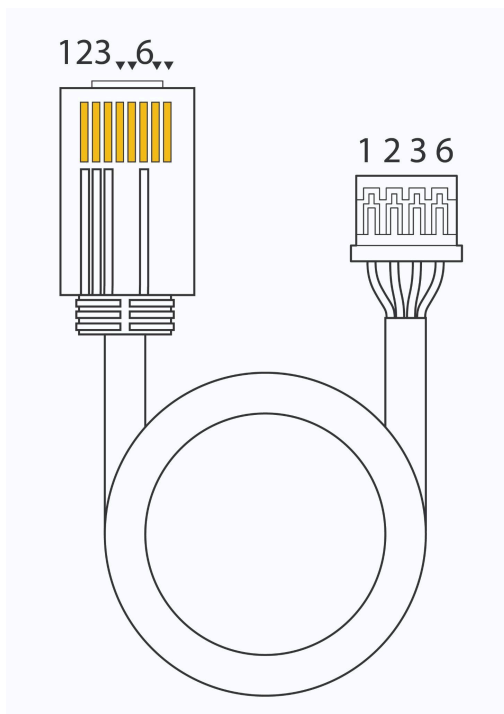
Switch may work as push-button (momentary switch) and toggle switch.

The terminals are thoughtfully designed to serve the same purpose as a traditional switch, this design enables functionality to integrate smart modules for various applications such as gate control, doorbell operation, curtain management, and more. Alternatively, they can be used as a direct switch, similar to a traditional switch.

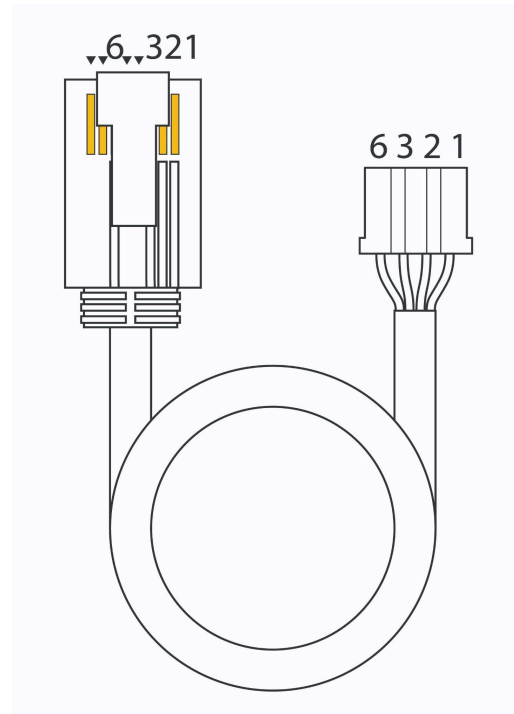
NOVAHOME COMMUNICATION CABLE MANUAL ASSEMBLY DIAGRAM (OPTIONAL)

- For direct no cut LAN cable wiring direct from switch to Wi-Fi Router LAN port.
- If prefer not to use Novahome provided communication cable to directly wire to the LAN port.

Front View



Back View

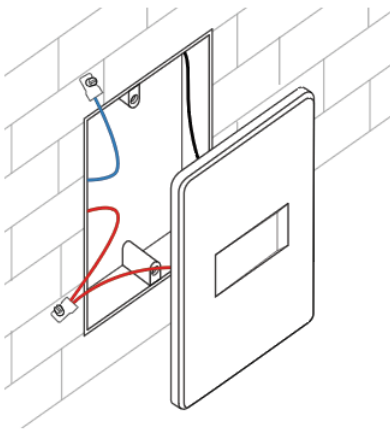


Safety Reminders ⚠

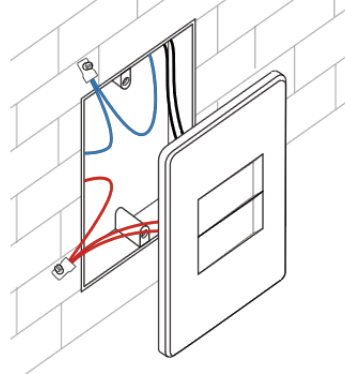
Installation of this device requires a great degree of skill and may be performed only by a licensed and qualified electrician. Please keep in mind that even when the device is turned OFF, voltage may still be present in the device's terminals.

Before Evolv Switchhub installation:

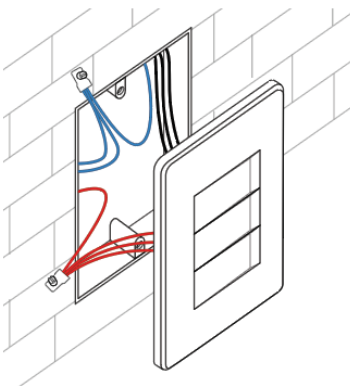
1 Button



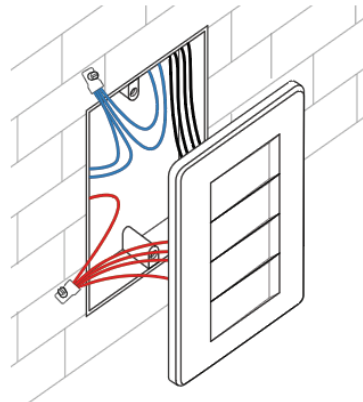
2 Button



3 Button



4 Button



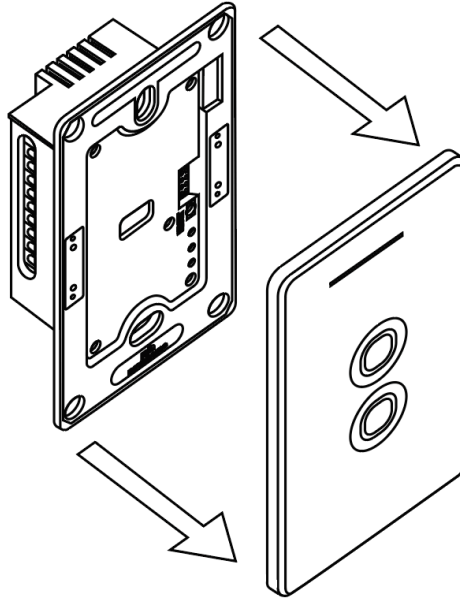
Step 1:

Safety Reminders ⚠

Cut off power supply at circuit breaker or fuse before installation to avoid electrocution that may cause fire, shock, or death.

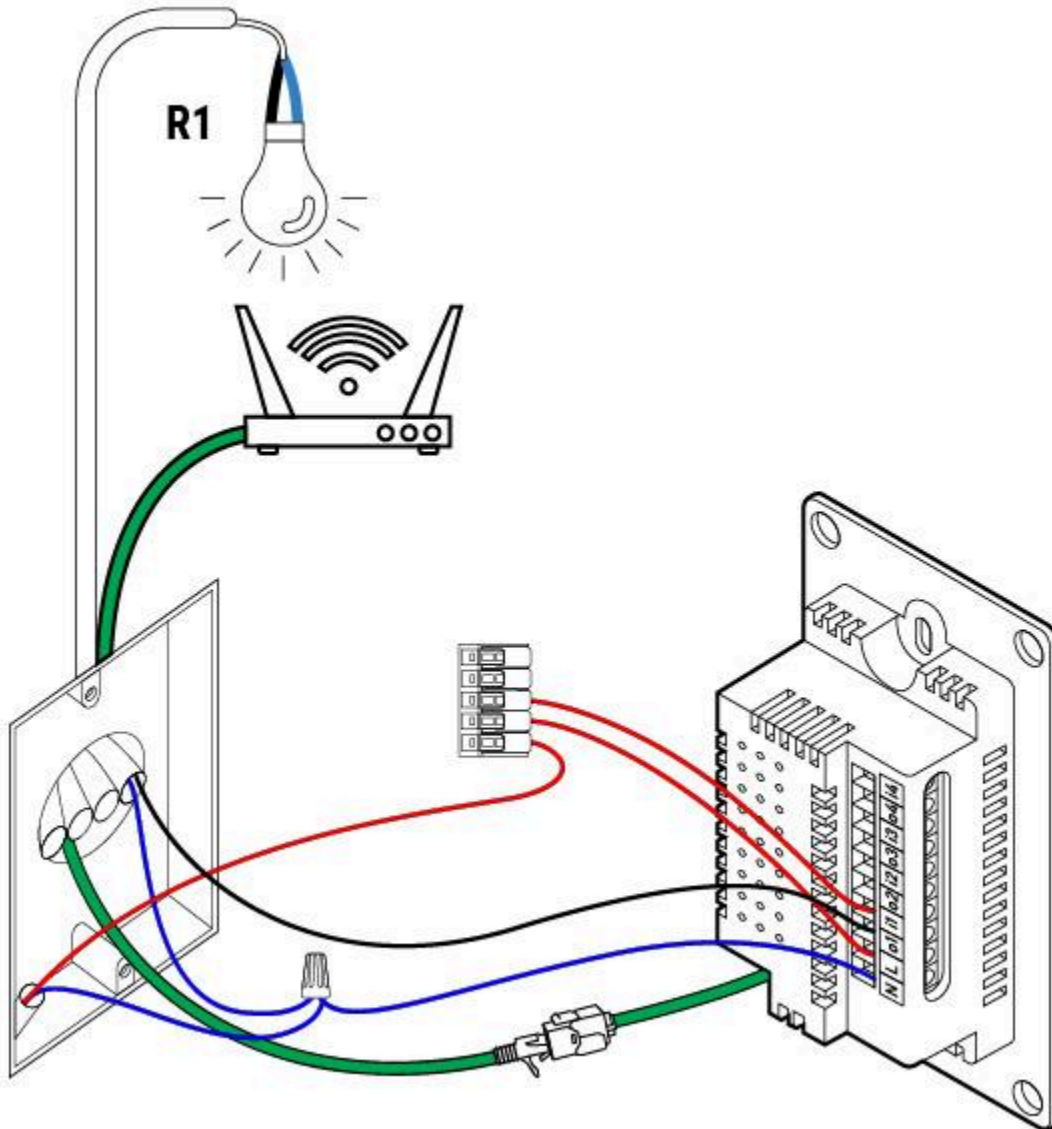
INSTALLATION

Pull the front panel manually to detach.



WIRING

Step 2



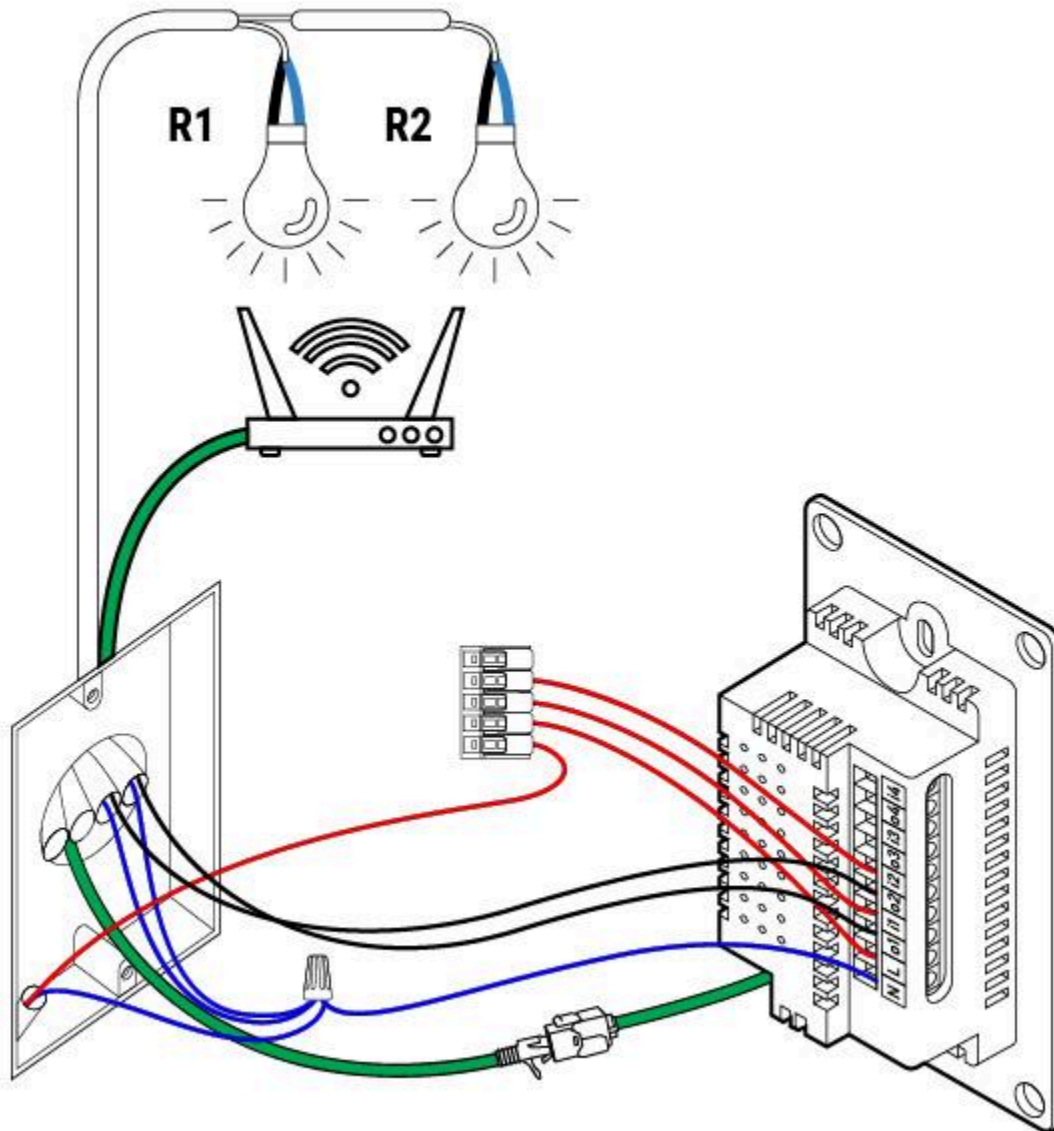
1 Gang

Red - Power Line (L)

Black - Load Line (R)

Blue - Neutral Line(N)

Use the communication cable to connect the Ethernet LAN cable to the Wi-Fi router port.



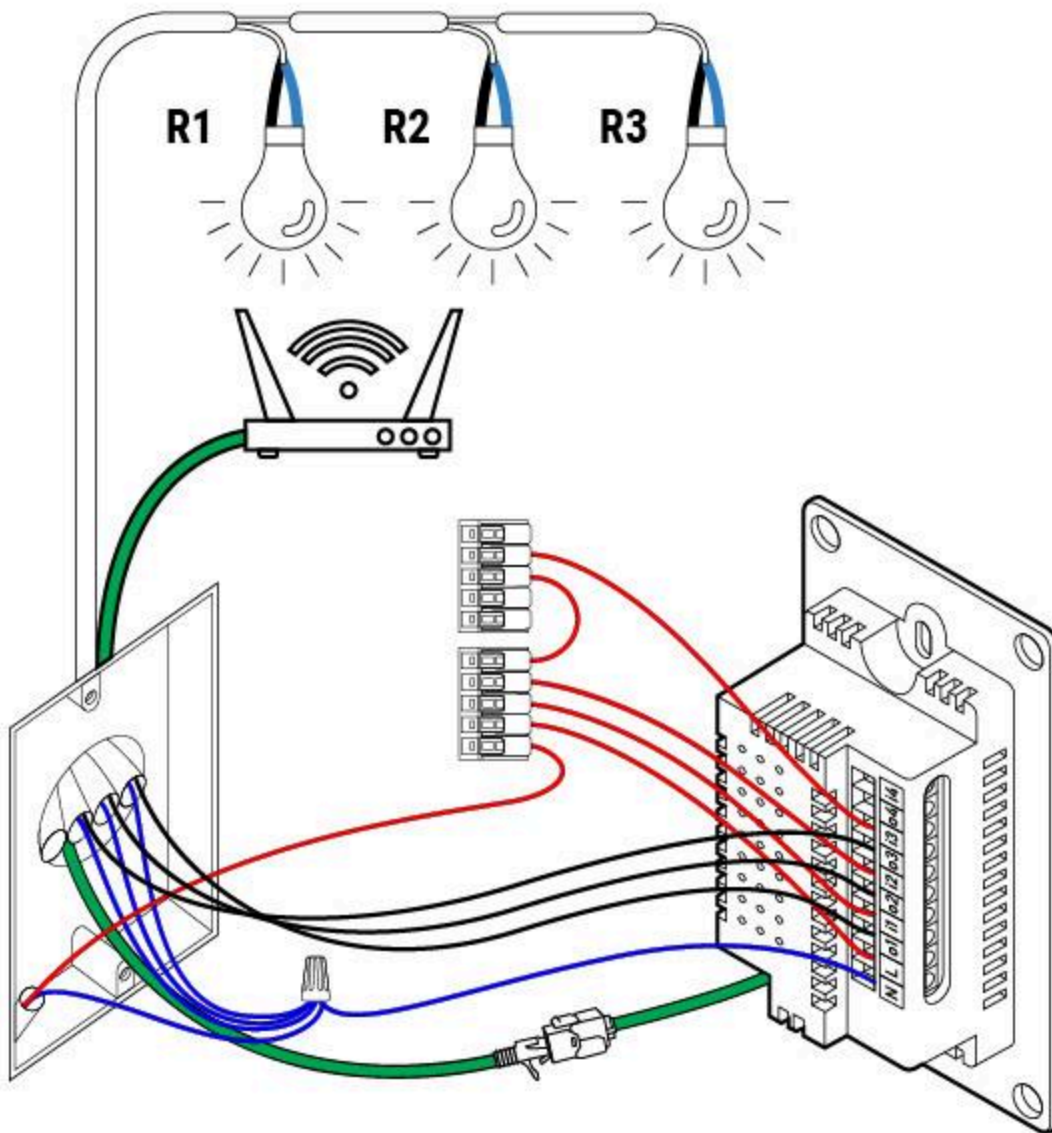
2 Gang

Red - Power Line (L)

Black - Load Line (R)

Blue - Neutral Line(N)

Use the communication cable to connect the Ethernet LAN cable to the Wi-Fi router port.



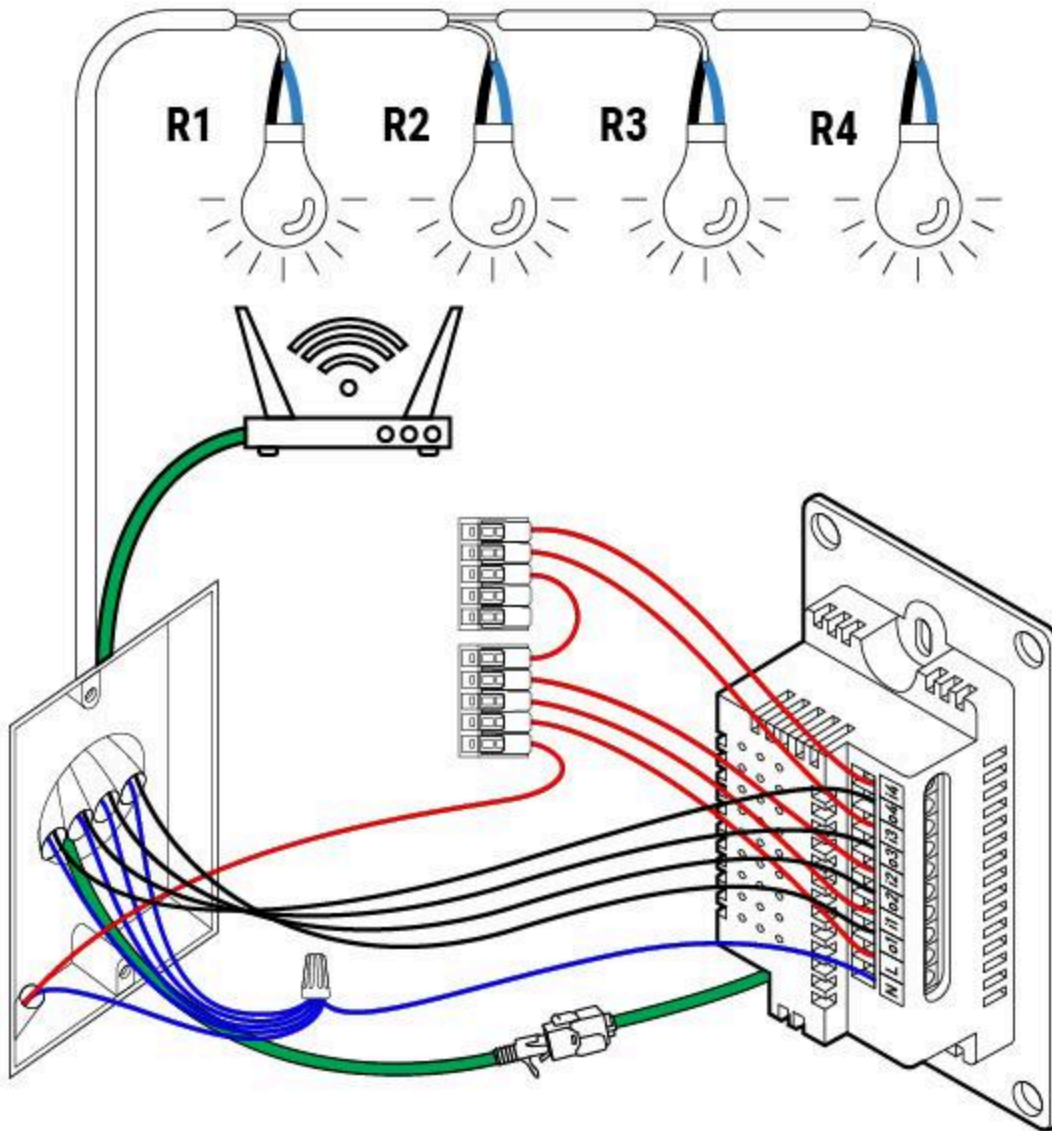
3 Gang

Red - Power Line (L)

Black - Load Line (R)

Blue - Neutral Line(N)

Use the communication cable to connect the Ethernet LAN cable to the Wi-Fi router port.



4 Gang

Red - Power Line (L)

Black - Load Line (R)

Blue - Neutral Line(N)

Use the communication cable to connect the Ethernet LAN cable to the internet Wi-Fi router port.

Step 3

Insert the hub into the switchbox. Secure the hub with top and bottom screws. Attach the magnetic front Switch panel to the hub.

