

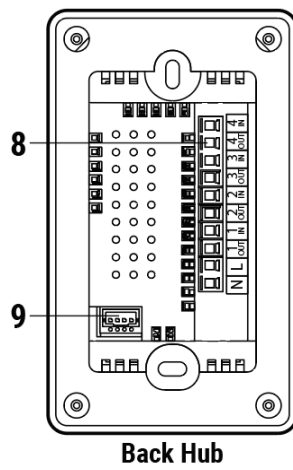
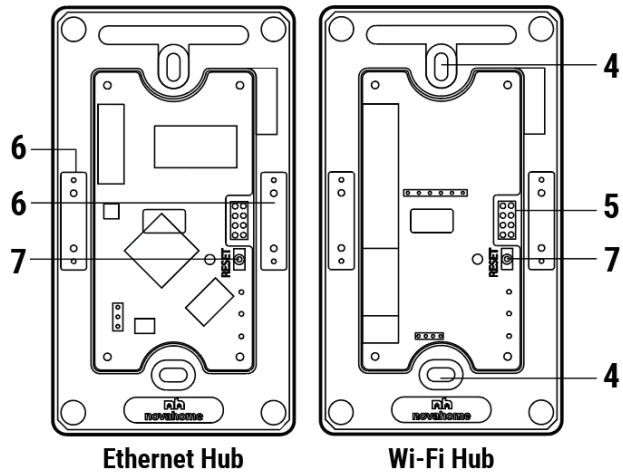
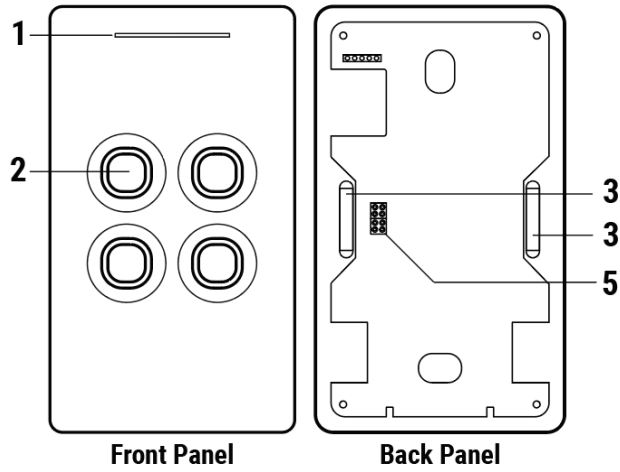


# Switch-Wifi Wire Installation Guide

<a href="#">PRODUCT DETAILS</a>	<a href="#">2</a>
<a href="#">PRODUCT DIMENSIONS</a>	<a href="#">4</a>
<a href="#">IMPORTANT!!! Wall level finish and wall box mounting position:</a>	<a href="#">5</a>
<a href="#">A diagram of a wall with a door</a> <a href="#">Description automatically generated</a>	<a href="#">5</a>
<a href="#">DEVICE TERMINALS</a>	<a href="#">6</a>
<a href="#">A diagram of a device</a> <a href="#">Description automatically generated</a>	<a href="#">6</a>
<a href="#">Safety Reminders </a>	<a href="#">7</a>
<a href="#">Before Evolv Switchhub installation:</a>	<a href="#">7</a>
<a href="#">Safety Reminders </a>	<a href="#">8</a>
<a href="#">INSTALLATION</a>	<a href="#">8</a>
<a href="#">WIRING</a>	<a href="#">8</a>
<a href="#">Step 2:</a>	<a href="#">8</a>
<a href="#">Step 3:</a>	<a href="#">13</a>

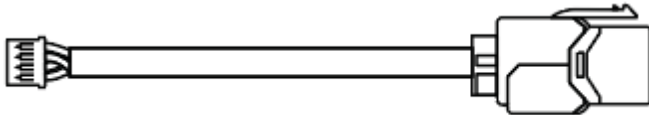
# PRODUCT DETAILS



## Labels:

1. Dimmable Status Led  
Red - Offline  
Blue - Online
2. Dimmable Touch Buttons  
Red - ON  
Blue - OFF/Standby
3. Magnet
4. Screw Hole
5. Pin
6. Metal Plate
7. Reset Button
8. Wire Terminal
9. Communication Port

## Accessories:

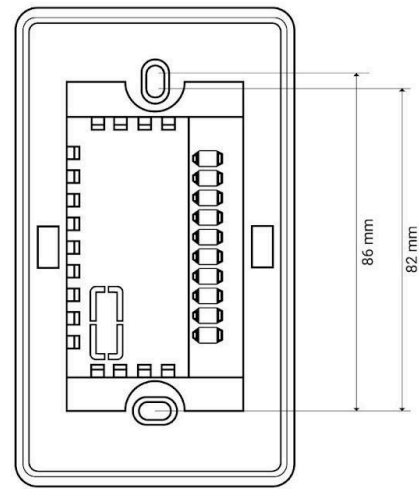
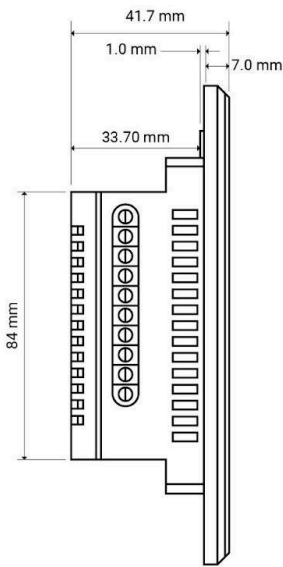
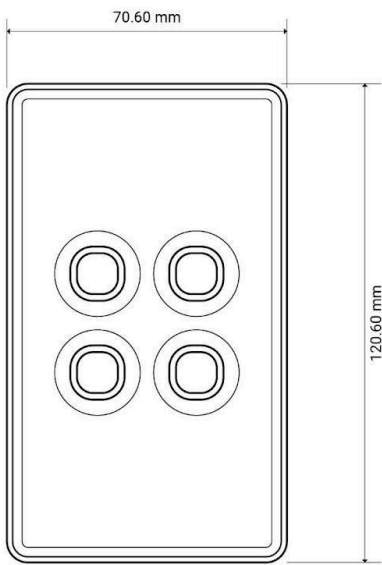
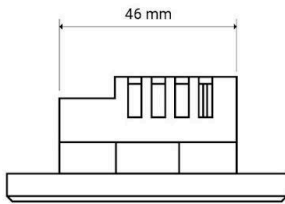


Communication Cable



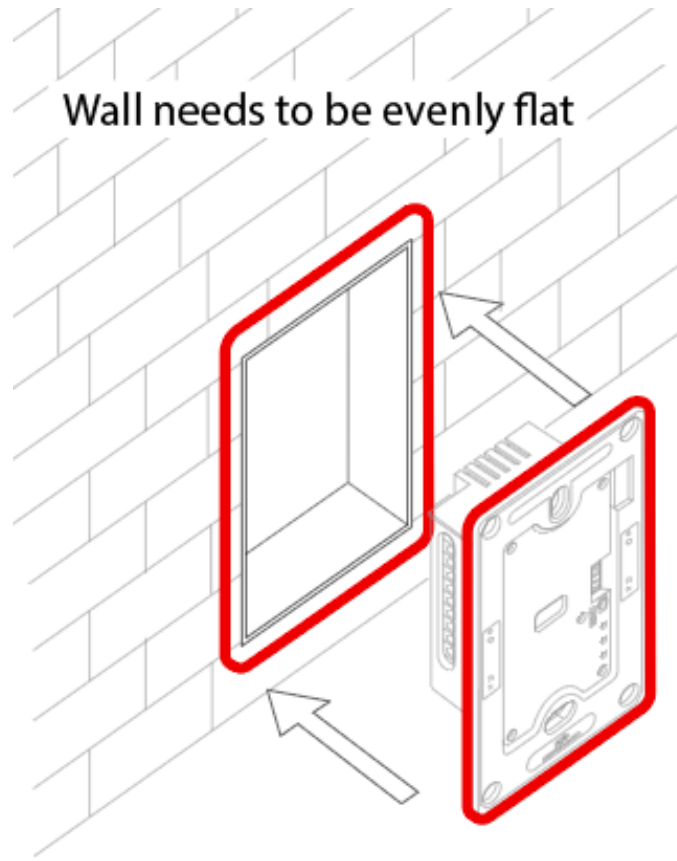
Wire Connectors

# PRODUCT DIMENSIONS

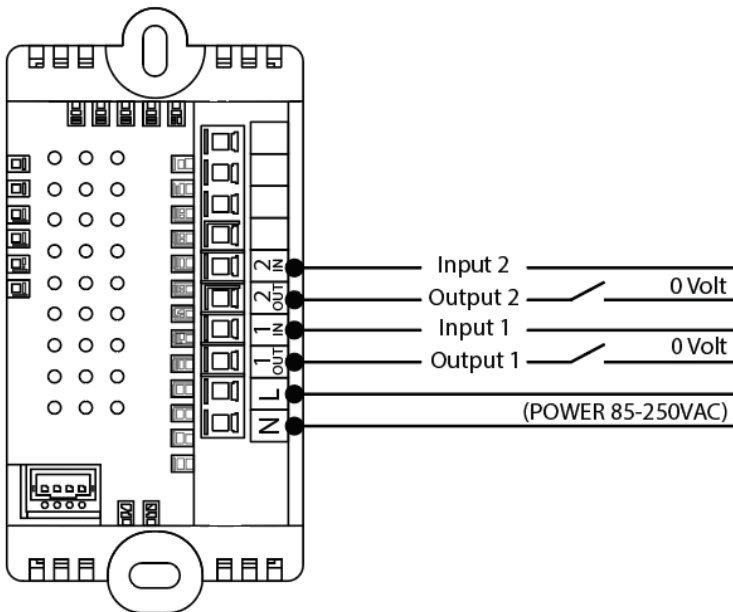


## **IMPORTANT!!! Wall level finish and wall box mounting position:**

Wall surface where the Switchhub will be Installed needs to be evenly flat. This is to ensure that the touch panel magnetic will 100% attach properly to the surface of the Switchhub.



## DEVICE TERMINALS



Voltage Free Output contact (dry contact), so different supply loads under 10A can be connected to the device.

Switch may work as push-button (momentary switch) and toggle switch.

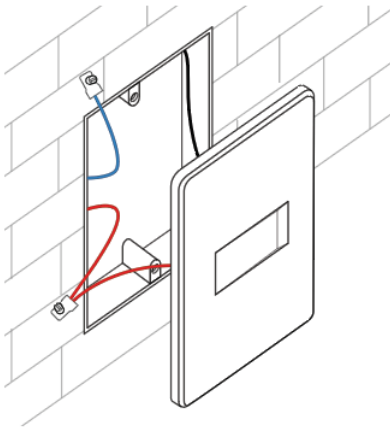
The terminals are thoughtfully designed to serve the same purpose as a traditional switch, this design enables functionality to integrate smart modules for various applications such as gate control, doorbell operation, curtain management, and more. Alternatively, they can be used as a direct switch, similar to a traditional switch.

## Safety Reminders

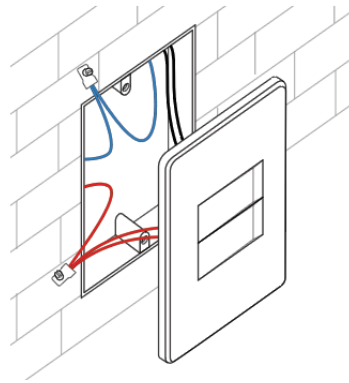
Installation of this device requires a great degree of skill and may be performed only by a licensed and qualified electrician. Please keep in mind that even when the device is turned OFF, voltage may still be present in the device's terminals.

Before Evolv Switchhub installation:

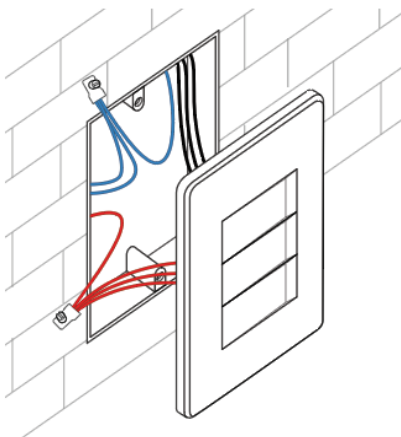
1 Button



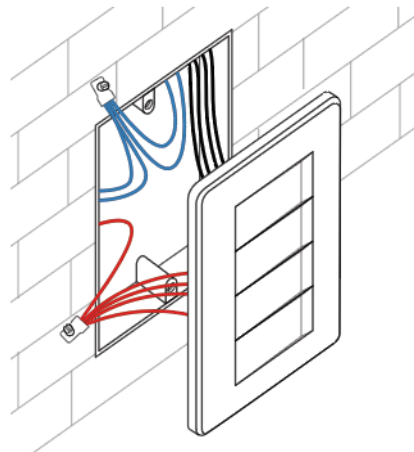
2 Button



3 Button



4 Button



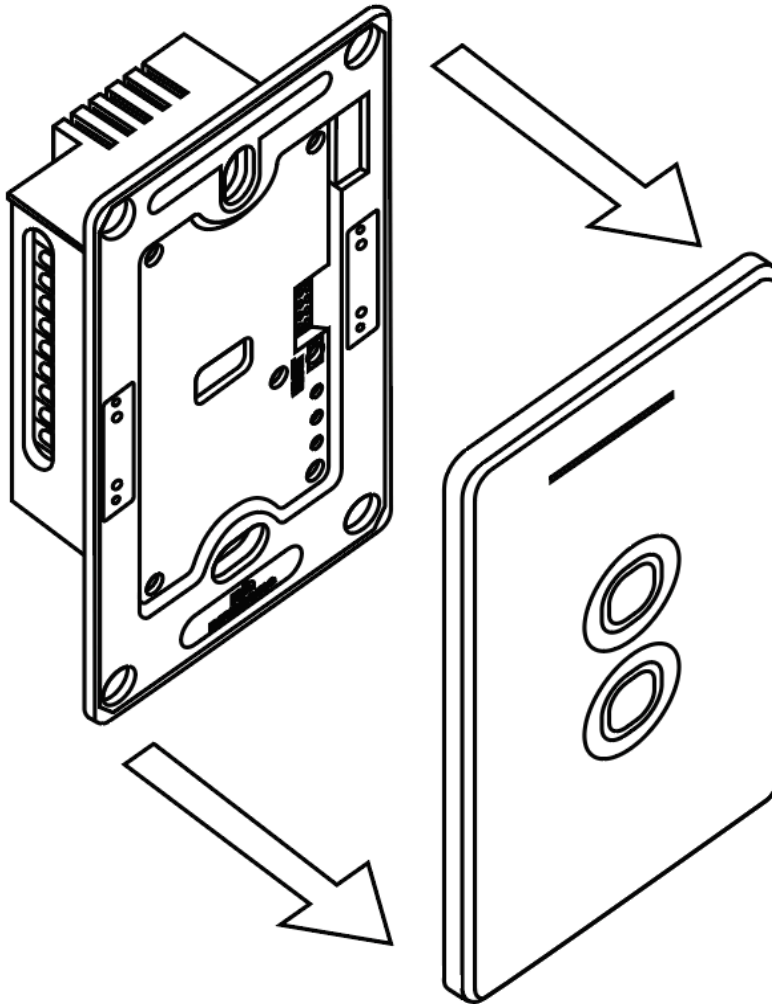
**Step 1:**

## Safety Reminders

**Cut off power supply at circuit breaker or fuse before installation to avoid electrocution that may cause fire, shock, or death.**

## INSTALLATION

Pull the front panel manually to detach.

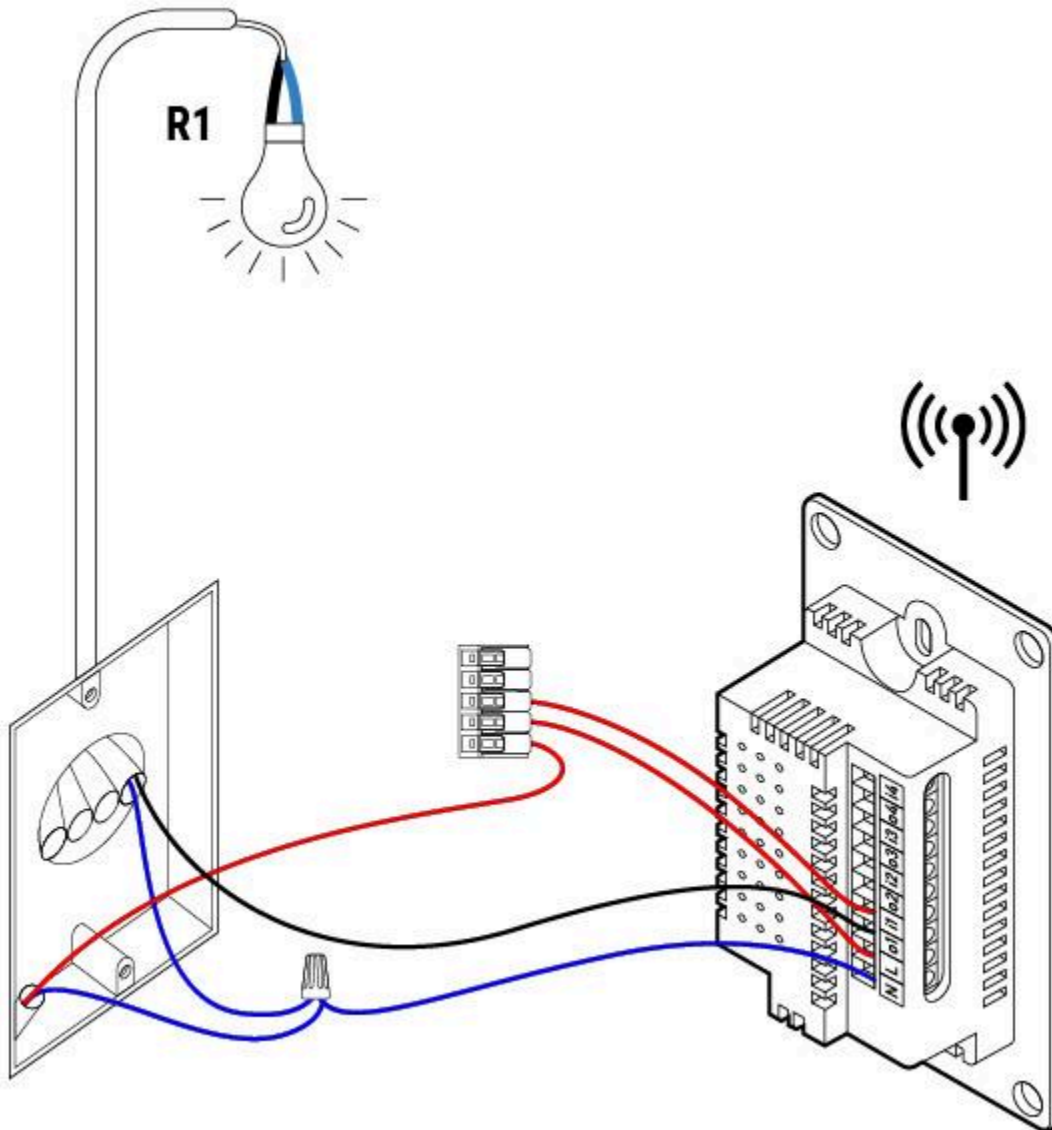




## WIRING

### Step 2:

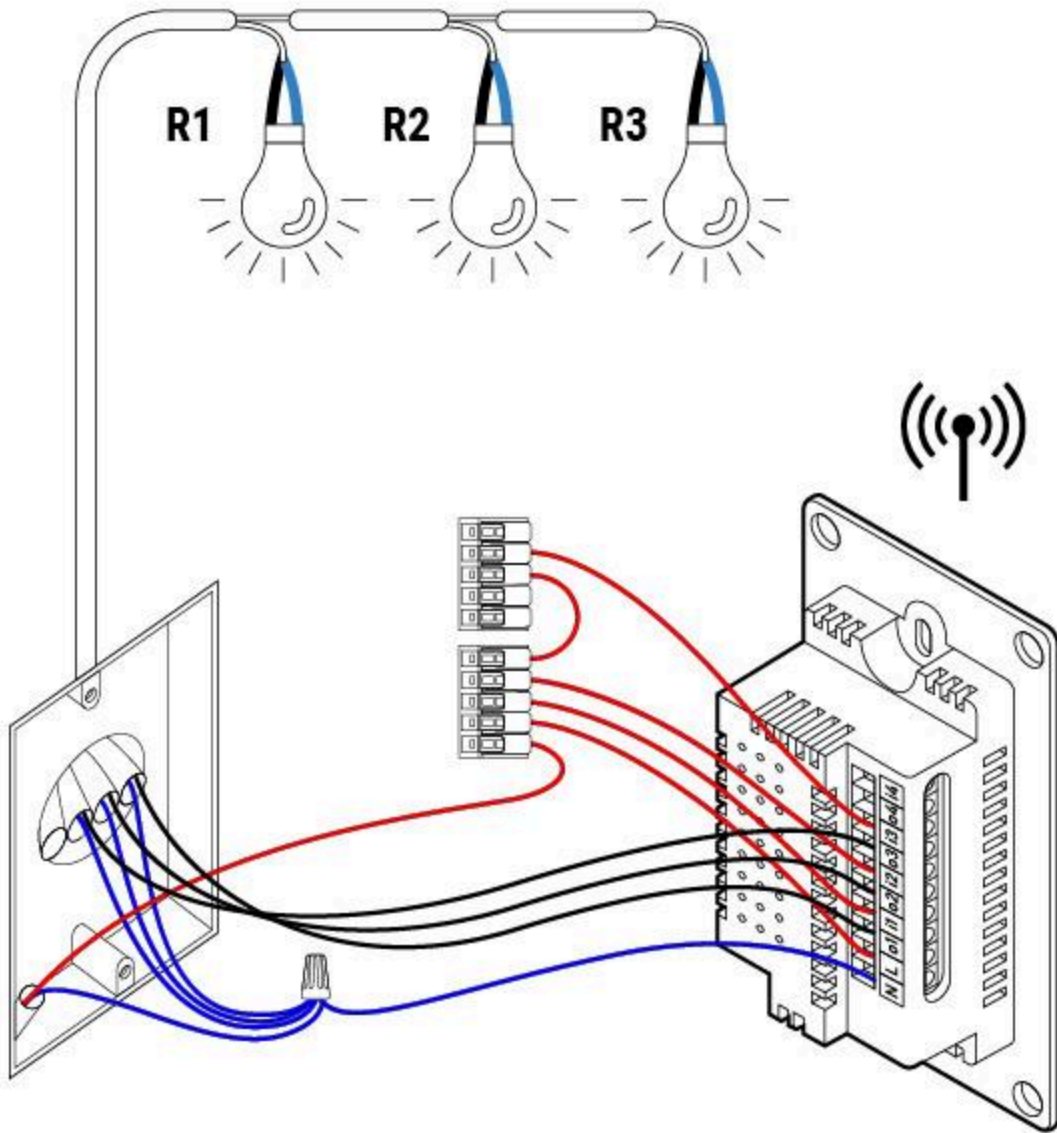
Wiring for 1-4 Gang



1 Gang

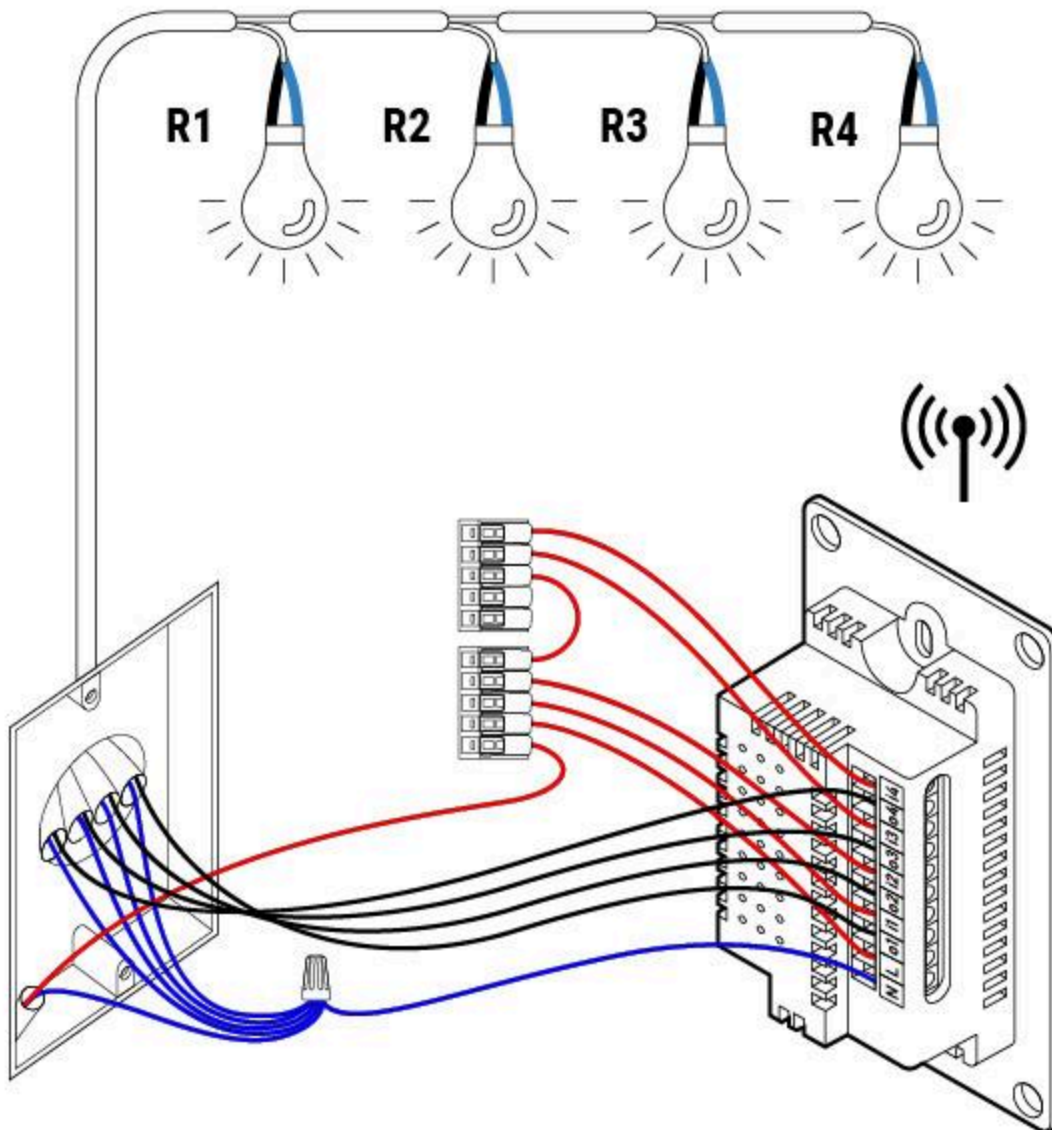
Red - Power Line (L)  
Black - Load Line (R)  
Blue - Neutral Line(N)





3 Gang

Red - Power Line (L)  
Black - Load Line (R)  
Blue - Neutral Line(N)



4 Gang

Red - Power Line (L)  
Black - Load Line (R)  
Blue - Neutral Line(N)

### Step 3:

Insert the hub into the switchbox. Secure the hub with top and bottom screws. Attach the magnetic front Switch panel to the hub.

