

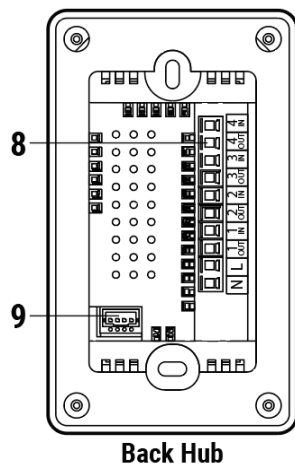
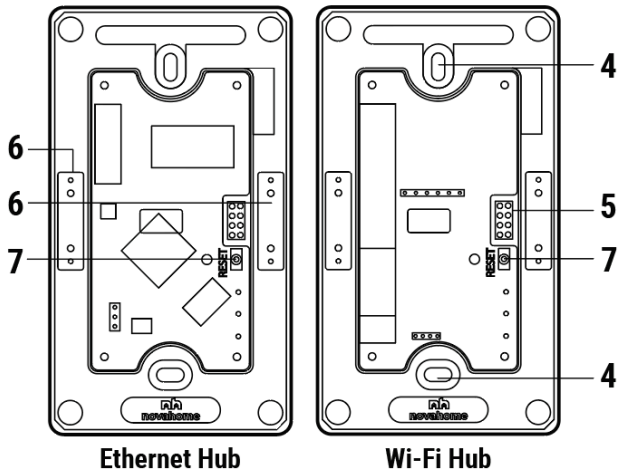
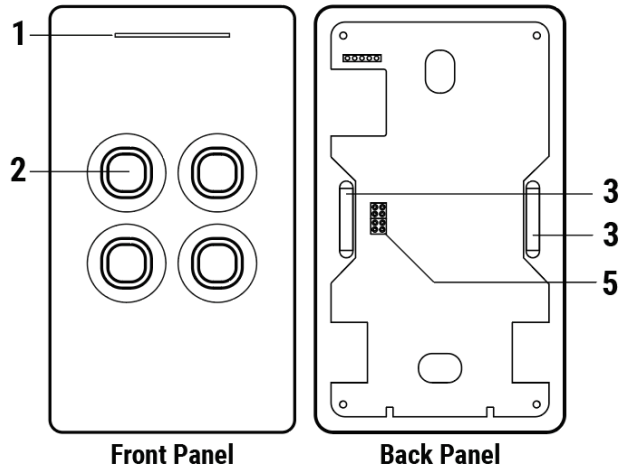


# Ethernet Wire Installation Guide

<a href="#">PRODUCT DETAILS</a>	<a href="#">2</a>
<a href="#">PRODUCT DIMENSIONS</a>	<a href="#">4</a>
<a href="#">IMPORTANT!!! Wall level finish and wall box mounting position:</a>	<a href="#">5</a>
<a href="#">DEVICE TERMINALS</a>	<a href="#">6</a>
<a href="#">A diagram of a deviceDescription automatically generated</a>	<a href="#">6</a>
<a href="#">Novahome Communication Cable manual assembly diagram (optional)</a>	<a href="#">7</a>
<a href="#">Safety Reminders </a>	<a href="#">8</a>
<a href="#">Before Evolv Switchub installation:</a>	<a href="#">8</a>
<a href="#">Safety Reminders </a>	<a href="#">9</a>
<a href="#">INSTALLATION</a>	<a href="#">9</a>
<a href="#">WIRING</a>	<a href="#">10</a>
<a href="#">Step 2</a>	<a href="#">10</a>
<a href="#">Step 3</a>	<a href="#">14</a>

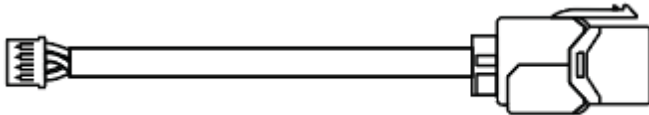
# PRODUCT DETAILS



## Labels:

1. Dimmable Status Led  
Red - Offline  
Blue - Online
2. Dimmable Touch Buttons  
Red - ON  
Blue - OFF/Standby
3. Magnet
4. Screw Hole
5. Pin
6. Metal Plate
7. Reset Button
8. Wire Terminal
9. Communication Port

## Accessories:

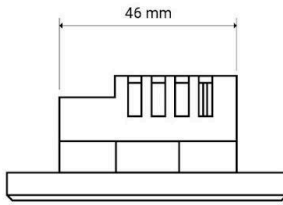


Communication Cable

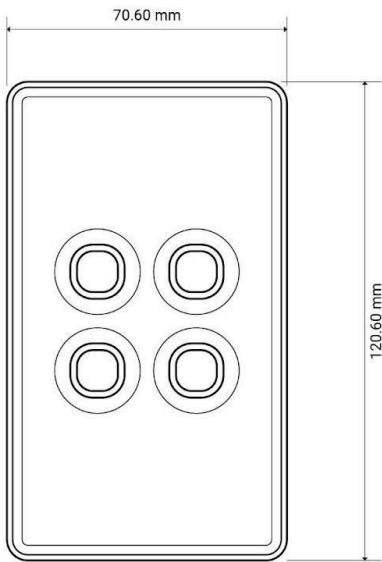


Wire Connectors

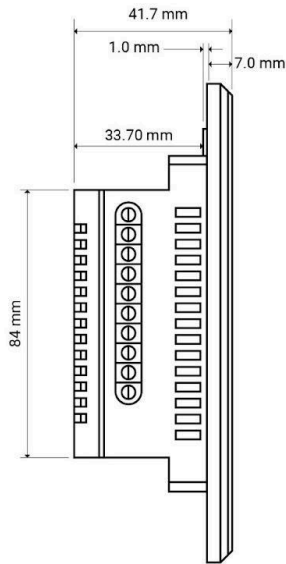
# PRODUCT DIMENSIONS



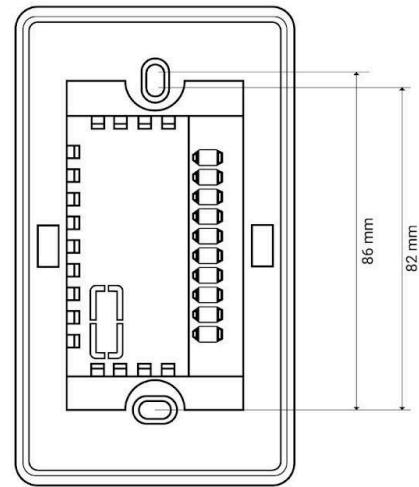
TOP VIEW



FRONT VIEW



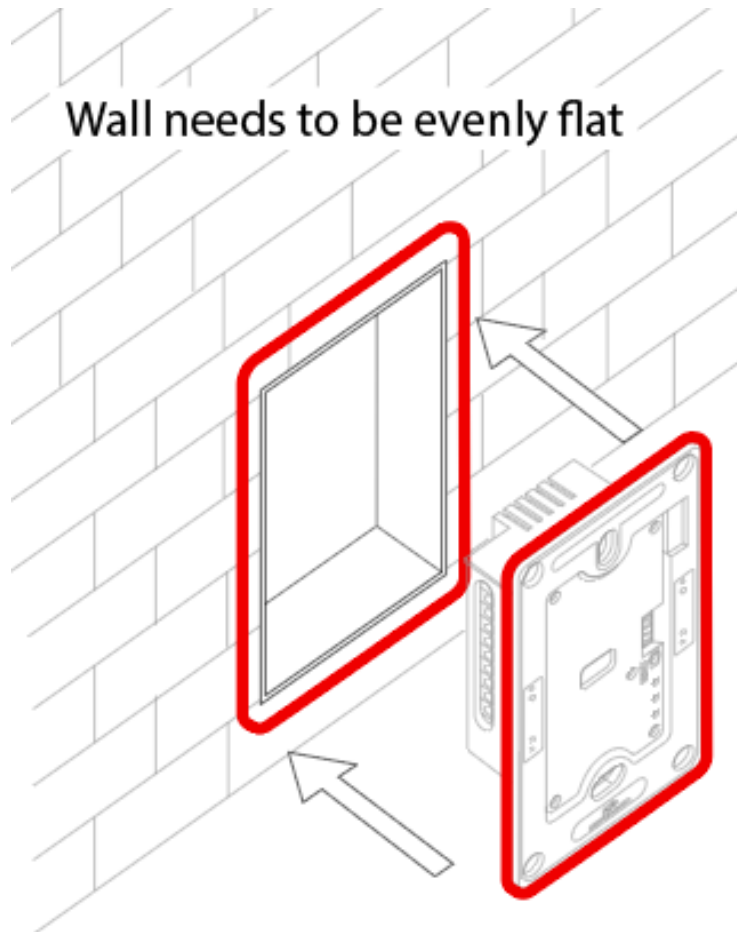
SIDE VIEW



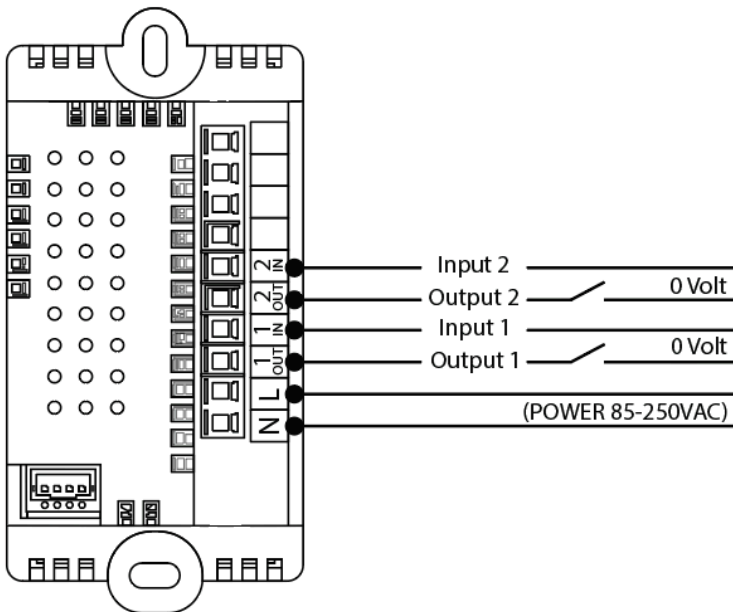
BACK VIEW

## **IMPORTANT!!! Wall level finish and wall box mounting position:**

Wall surface where the Switchhub will be Installed needs to be evenly flat. This is to ensure that the touch panel magnetic will 100% attach properly to the surface of the Switchhub.



## DEVICE TERMINALS



Voltage Free Output contact (dry contact), so different supply loads under 10A can be connected to the device.

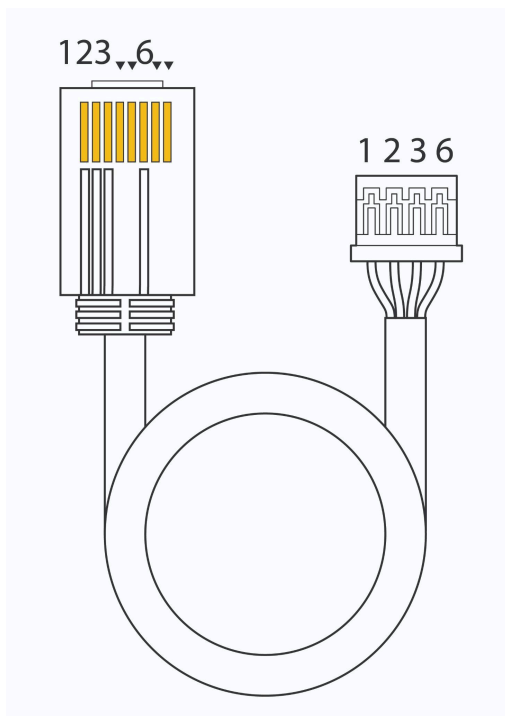
Switch may work as push-button (momentary switch) and toggle switch.

The terminals are thoughtfully designed to serve the same purpose as a traditional switch, this design enables functionality to integrate smart modules for various applications such as gate control, doorbell operation, curtain management, and more. Alternatively, they can be used as a direct switch, similar to a traditional switch.

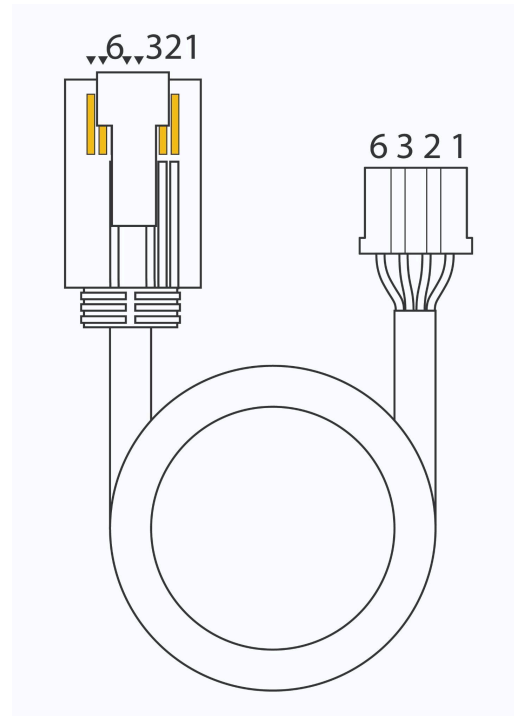
## NOVAHOME COMMUNICATION CABLE MANUAL ASSEMBLY DIAGRAM (OPTIONAL)

- For direct no cut LAN cable wiring direct from switch to Wi-Fi Router LAN port.
- If prefer not to use Novahome provided communication cable to directly wire to the LAN port.

Front View



Back View

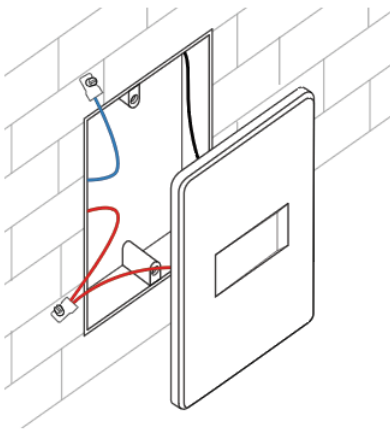


## Safety Reminders ⚠

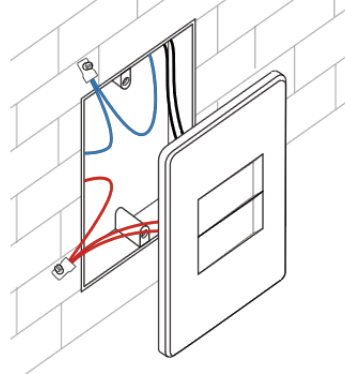
**Installation of this device requires a great degree of skill and may be performed only by a licensed and qualified electrician. Please keep in mind that even when the device is turned OFF, voltage may still be present in the device's terminals.**

Before Evolv Switchhub installation:

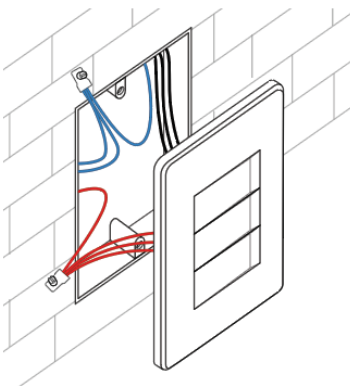
1 Button



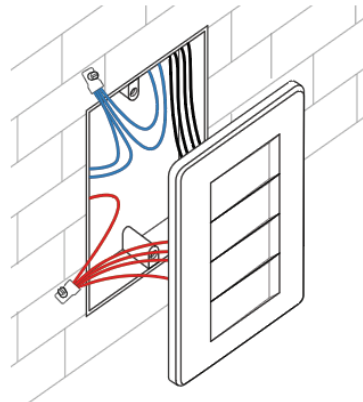
2 Button



3 Button



4 Button



**Step 1:**

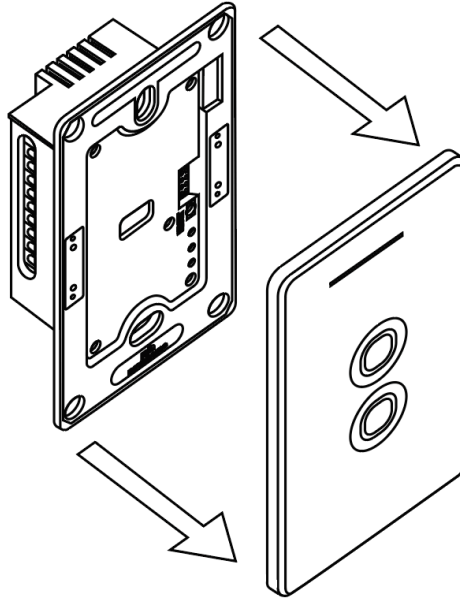
## Safety Reminders ⚠

**Cut off power supply at circuit breaker or fuse before installation to avoid electrocution that may cause fire, shock, or death.**



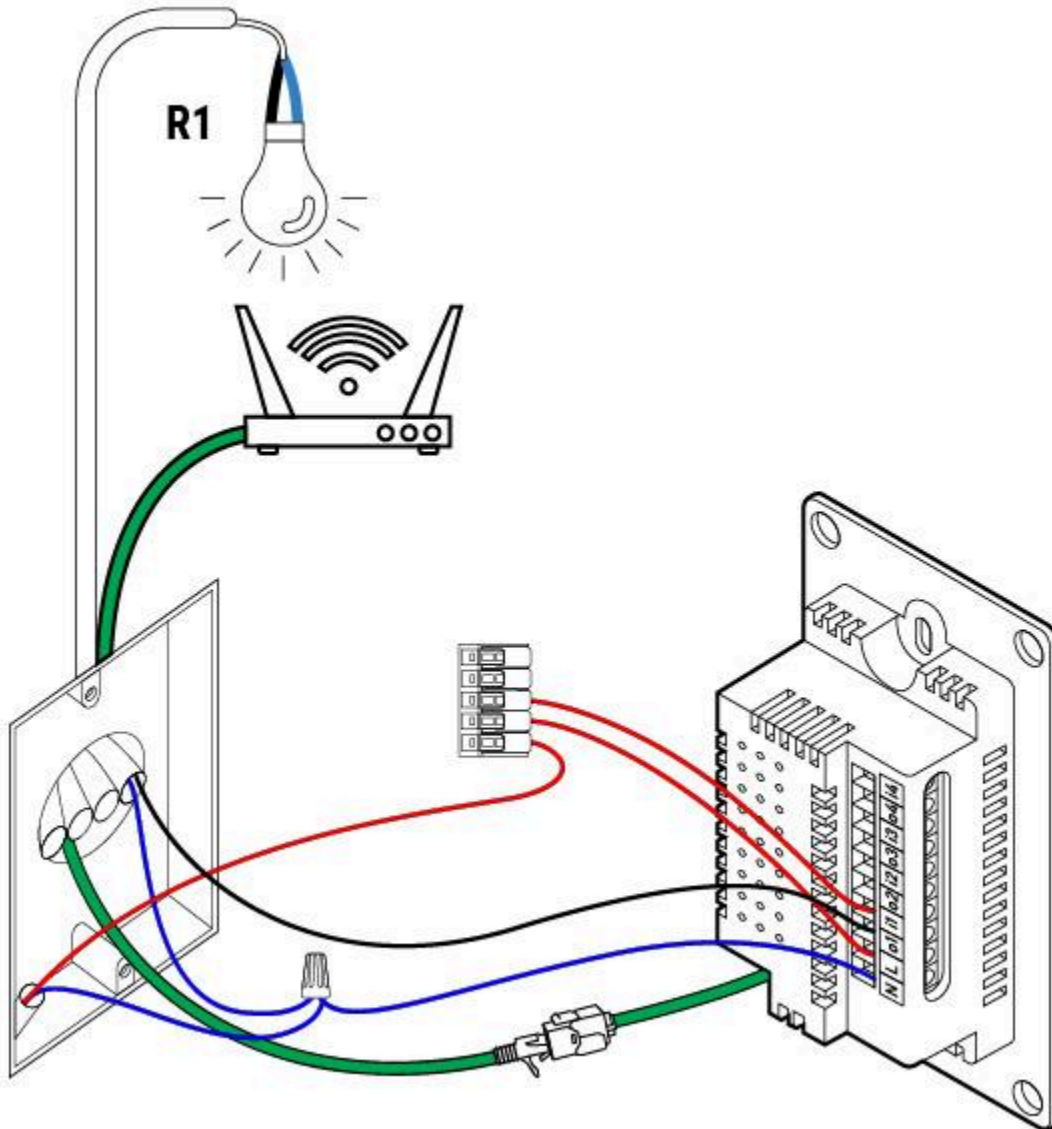
## INSTALLATION

Pull the front panel manually to detach.



## WIRING

### Step 2



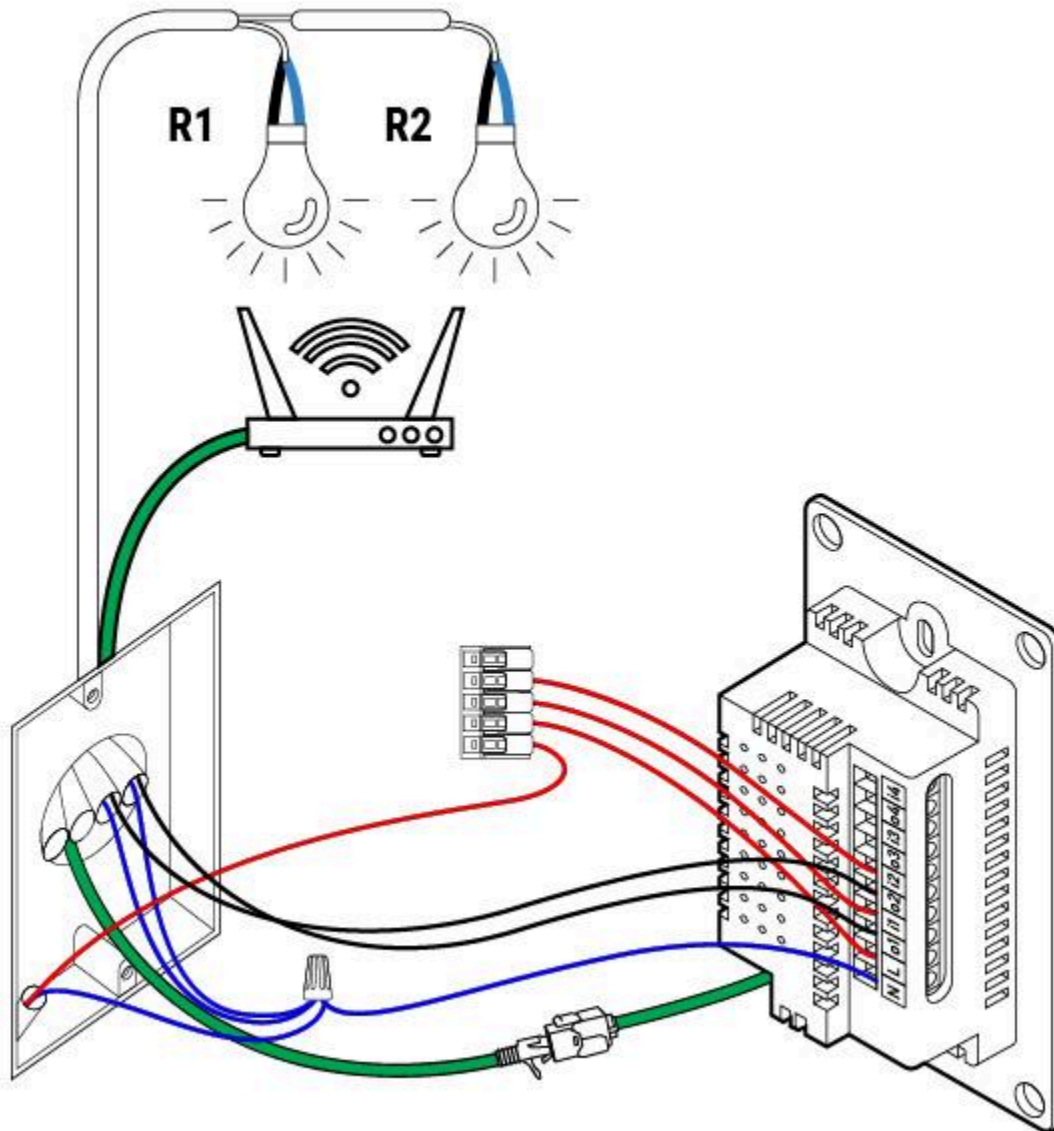
1 Gang

Red - Power Line (L)

Black - Load Line (R)

Blue - Neutral Line(N)

Use the communication cable to connect the Ethernet LAN cable to the Wi-Fi router port.



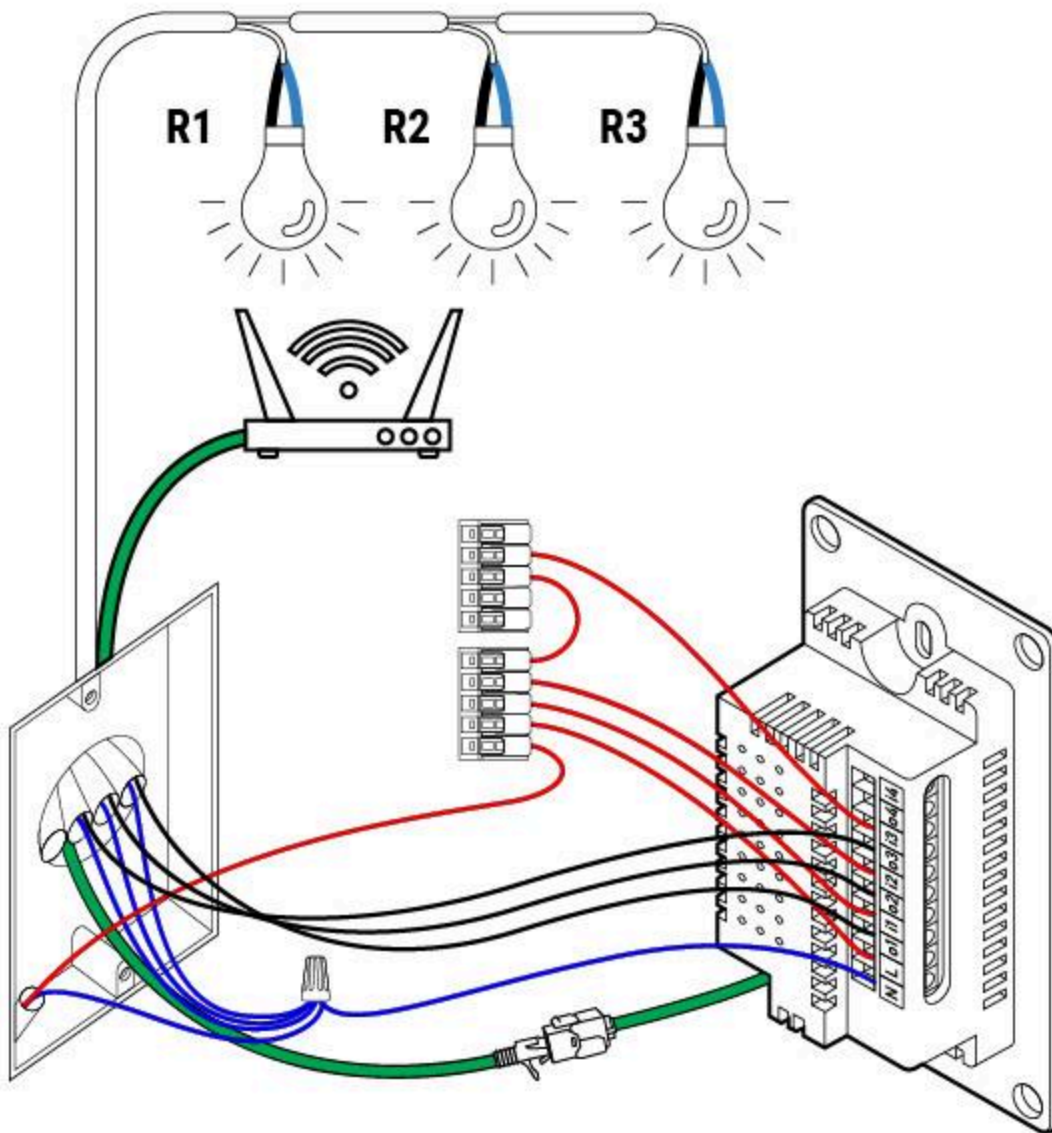
2 Gang

Red - Power Line (L)

Black - Load Line (R)

Blue - Neutral Line(N)

Use the communication cable to connect the Ethernet LAN cable to the Wi-Fi router port.



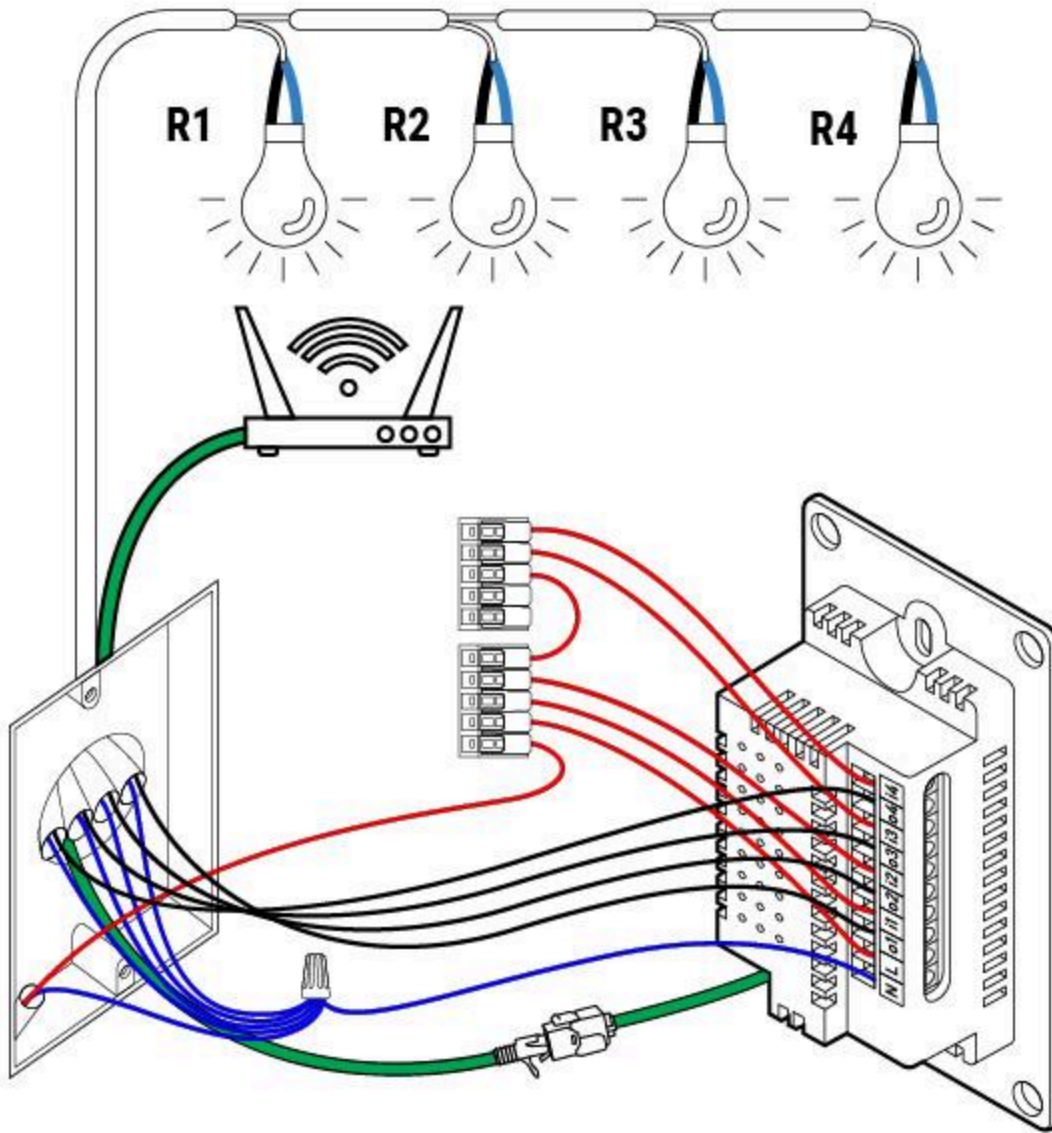
3 Gang

Red - Power Line (L)

Black - Load Line (R)

Blue - Neutral Line(N)

Use the communication cable to connect the Ethernet LAN cable to the Wi-Fi router port.



#### 4 Gang

Red - Power Line (L)

Black - Load Line (R)

Blue - Neutral Line(N)

Use the communication cable to connect the Ethernet LAN cable to the internet Wi-Fi router port.

### Step 3

Insert the hub into the switchbox. Secure the hub with top and bottom screws. Attach the magnetic front Switch panel to the hub.

