




novahome

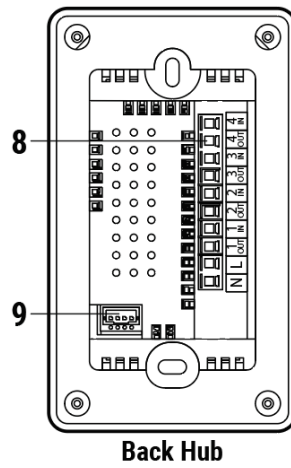
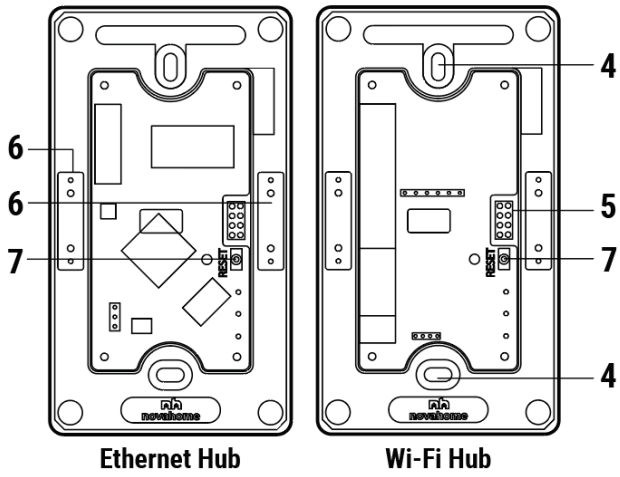
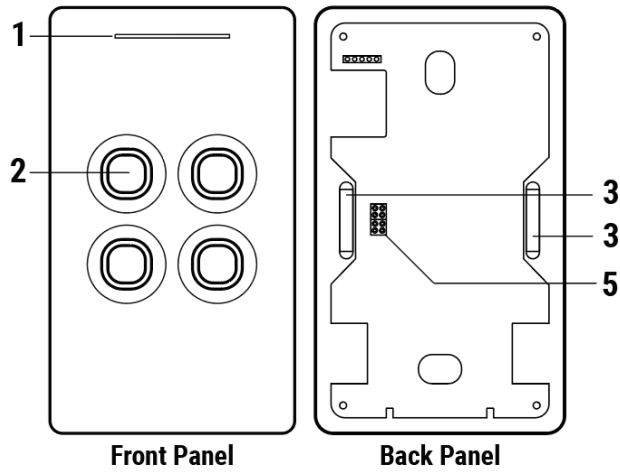
USER MANUAL

TABLE OF CONTENTS

USER MANUAL	1
TABLE OF CONTENTS	2
PRODUCT DETAILS	4
TECHNICAL SPECIFICATIONS	6
Switch	6
Hub	6
PRODUCT DIMENSIONS	7
DEVICE TERMINALS	8
1 Gang	8
2 Gang	8
3 Gang	9
4 Gang	9
Safety Reminders 	10
Before Evolv Switchhub installation:	10
1 Gang	10
2 Gang	11
3 Gang	11
4 Gang	12
INSTALLATION	12
IMPORTANT!!! Wall level finish and wall box mounting position:	13
Novahome Communication Cable manual assembly (optional)	13
WIRING	14
Step 2: Wiring without LAN cable.	14
Step 2: Wiring with Ethernet LAN cable.	18
Step 2: S2S Wire Installation	22
Traveler Wire diagram	22
SAMPLE ILLUSTRATION OF CONNECTED SWITCHES USING TRAVELER WIRES	23
Step 3: Insert the hub into the switchbox. Secure the hub with top and bottom screws. Attach the magnetic front Switch panel to the hub.	28
MOBILE APPLICATION	29
Account Registration	29
Adding a device	30
Adding Ethernet Hub/Gateway	31
Adding Wi-Fi Hub/Gateway	32
Adding Switch	33

How to rename APP buttons	34
How to Dim Touch Button LED & the Glass Status LED	35
How to set Multi-Control Association	35
How to set touch button to momentary mode	37
How to Add and Set Switch CMD Values	38
HUB PAIRING AND RESET	41
Ethernet Hub Pairing and Reset	41
To Pair	42
To reset	43
Wi-Fi Hub Pairing and Reset	43
To Pair	43
To reset	45
SMART TOUCH PANEL PAIRING/UNPAIRING to Smart Hub	45
Pairing/Unpairing	45
Factory reset	46
S2S Switch to Switch Wired Multi-Control Association Pairing	46

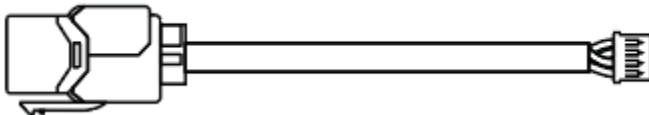
PRODUCT DETAILS



Labels:

1. Dimmable Status Led
Red - Offline
Blue - Online
2. Dimmable Touch Buttons
Red - ON
Blue - OFF/Standby
3. Magnet
4. Screw Hole
5. Pin
6. Metal Plate
7. Reset Button
8. Wire Terminal
9. Communication Port

Accessories:



Communication Cable



Wire Connectors

TECHNICAL SPECIFICATIONS

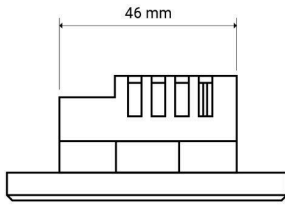
Switch

Neutral Wire _____ Required
Dimension on Wall (HxWxD) _____ 120 x 70 x 7 mm
Dimension in Wall (HxWxD) _____ 65 x 47 x 35 mm
Screw Slot (H) _____ 82 x 86 mm
Power Rating _____ 85 - 250VAC, 50/60Hz
Load Rating Per Button _____ 1000W Resistive (Incandescent Bulbs)
_____ 150W Capacitive (LED Lights)
_____ 1 50W Inductive (Motors, Fan, Hairdryer)
Overcurrent Protective Device External _____ 150A Circuit Breaker
Operating Temperature _____ 32°F to 104°F or 0°C to 40°C
Storage Temperature _____ -4°F to 158°F or 20°C to 70°C
Wireless Range _____ 10 - 50 Meters
Mesh _____ Available
Encryption Security Level _____ 128-bit AES
Radio Protocol, Power _____ Zigbee 3.0, 1mW
Radio Frequency _____ 2.4GHz
Weight _____ 200g

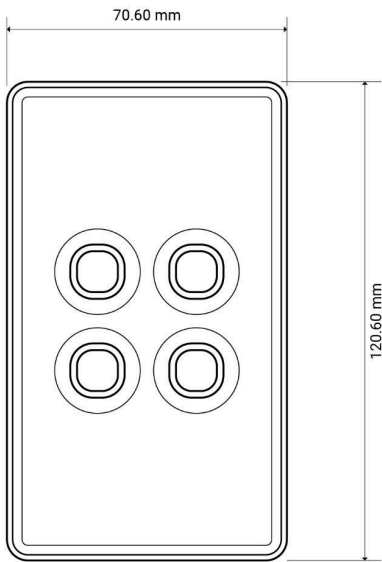
Hub

CPU _____ Quad-core ARM®
RAM & ROM _____ 512MB and 4GB eMMC
No. of Zigbee Devices Support per Controller _____ 120
Encryption Security Level _____ 128-bit AES
Internet Connectivity _____ Wi-Fi or Ethernet
Wireless Range _____ 10 - 50 Meters
Radio Protocol _____ Zigbee 3.0
Radio Frequency _____ 2.4 GHz

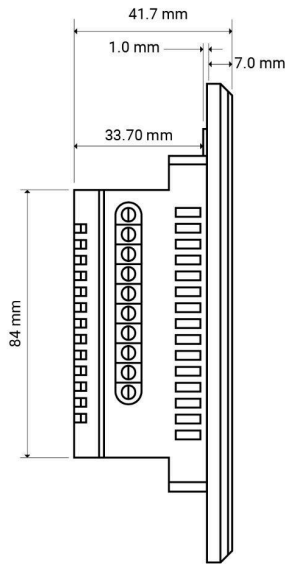
PRODUCT DIMENSIONS



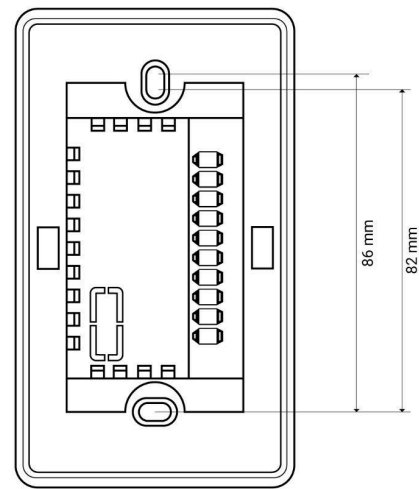
TOP VIEW



FRONT VIEW



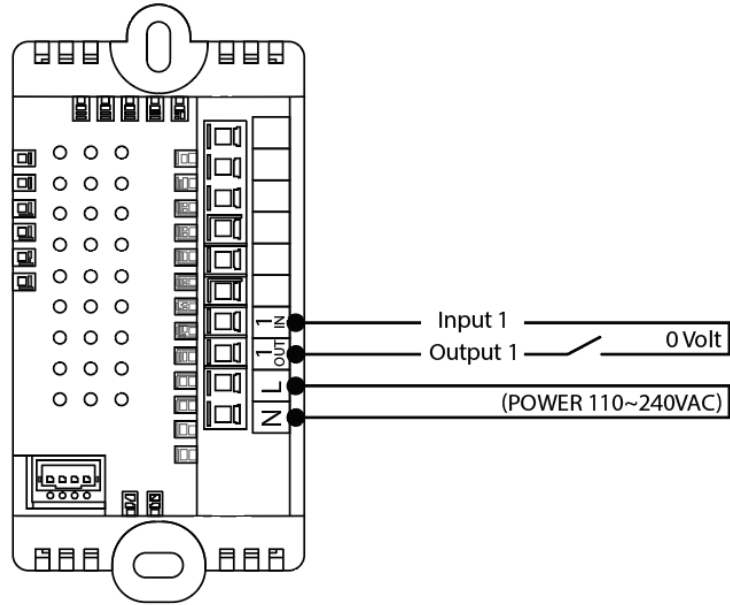
SIDE VIEW



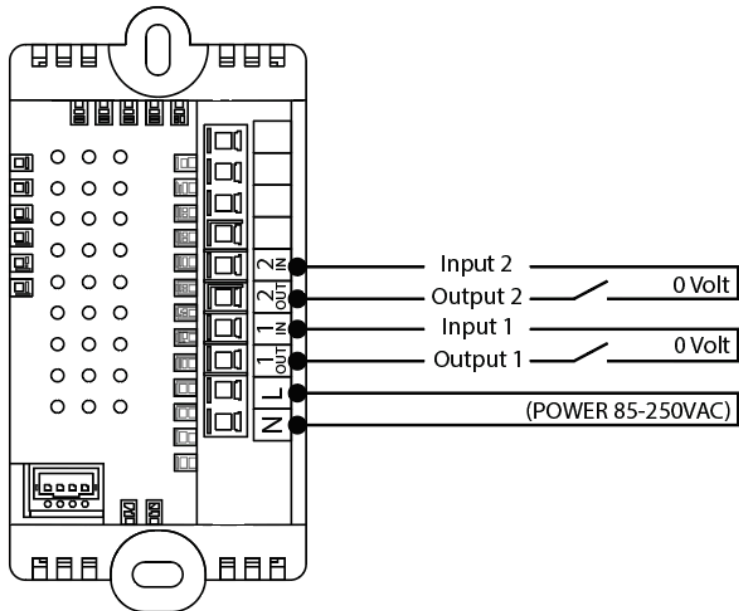
BACK VIEW

DEVICE TERMINALS

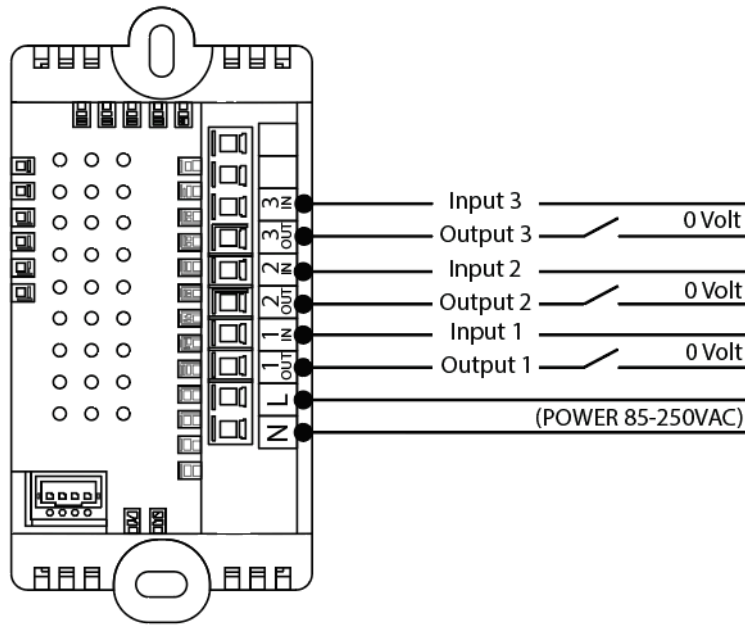
1 Gang



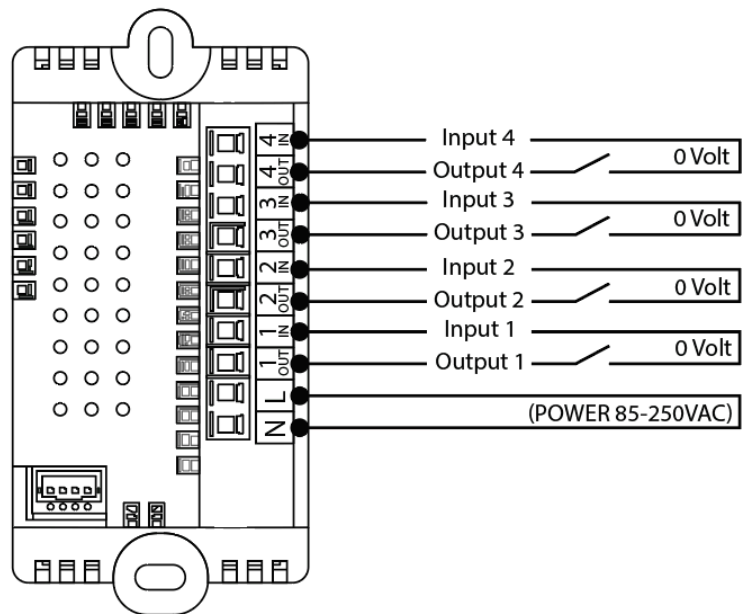
2 Gang



3 Gang



4 Gang



Voltage Free Output contact (dry contact), so different supply loads under 10A can be connected to the device.

Switch may work as push-button (momentary switch) and toggle switch.

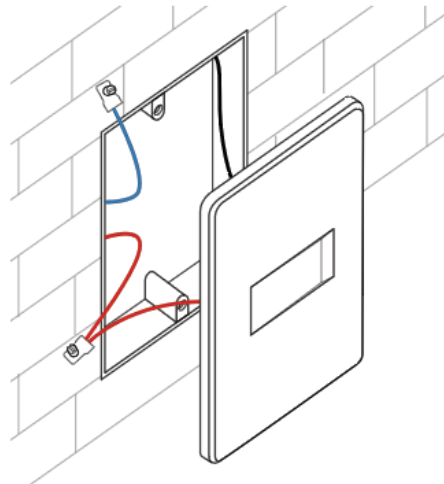
The terminals are thoughtfully designed to serve the same purpose as a traditional switch, this design enables functionality to integrate smart modules for various applications such as gate control, doorbell operation, curtain management, and more. Alternatively, they can be used as a direct switch, similar to a traditional switch.

Safety Reminders

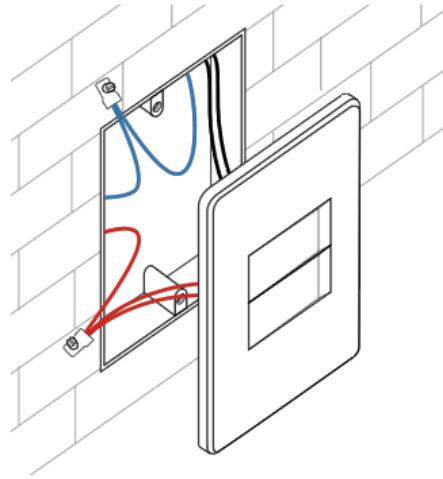
Installation of this device requires a great degree of skill and may be performed only by a licensed and qualified electrician. Please keep in mind that even when the device is turned OFF, voltage may still be present in the device's terminals.

Before Evolv Switchhub installation:

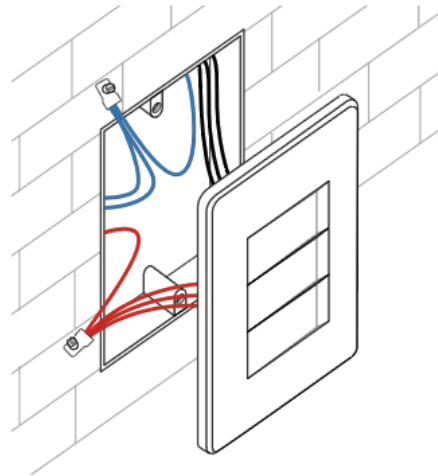
1 Gang



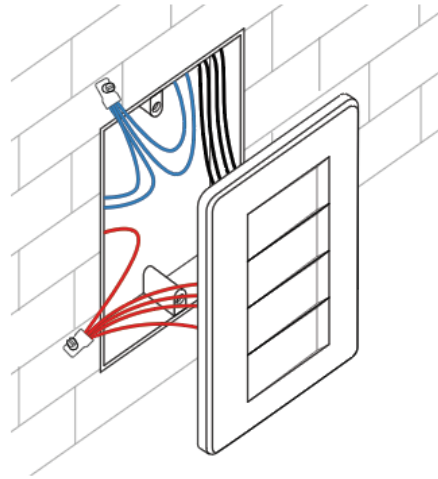
2 Gang



3 Gang



4 Gang

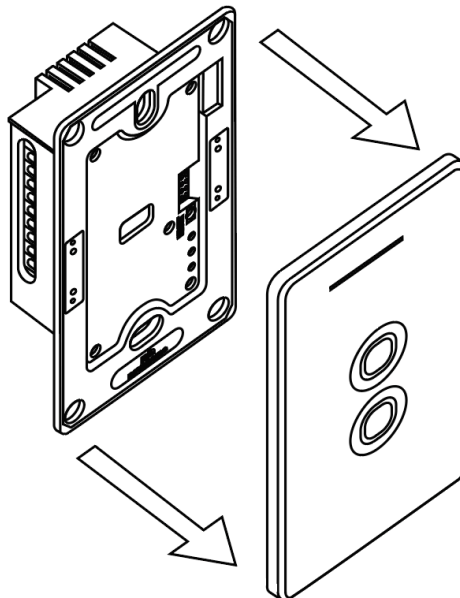


Step 1:

Cut off power supply at circuit breaker or fuse before installation to avoid electrocution that may cause fire, shock, or death.

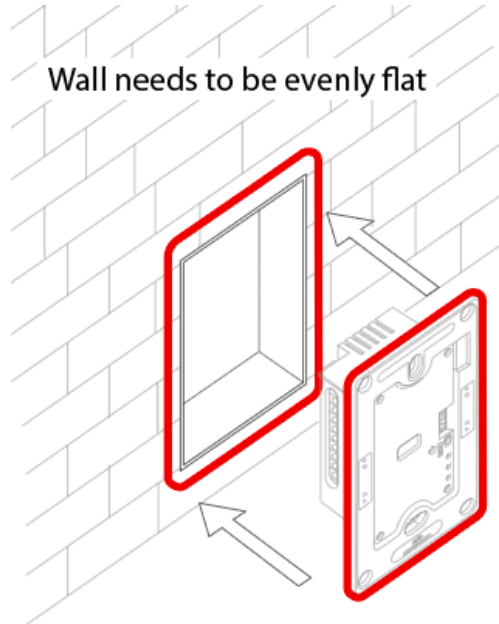
INSTALLATION

Pull the front panel manually to detach.



IMPORTANT!!! Wall level finish and wall box mounting position:

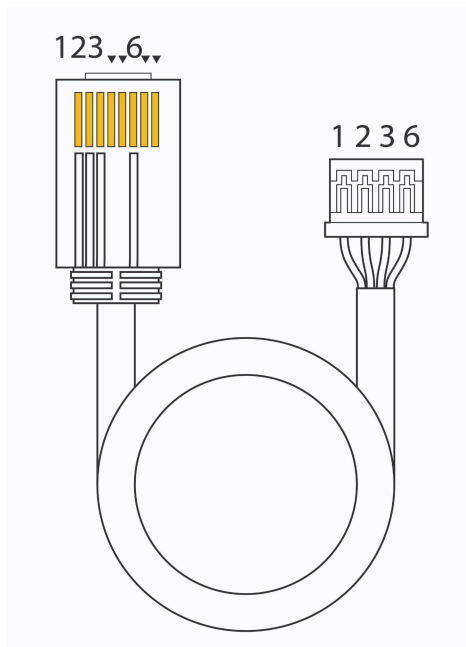
Wall surface where the Switchhub will be Installed needs to be evenly flat. This is to ensure that the touch panel magnetic will 100% attach properly to the surface of the Switchhub.



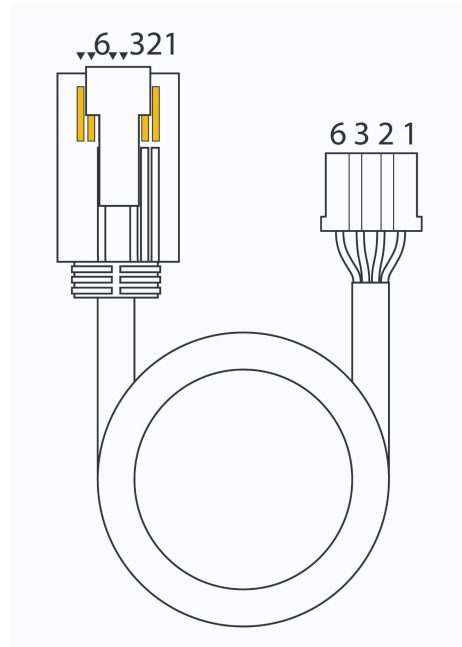
Novahome Communication Cable manual assembly (optional)

For limited wall box space the communication cable would be hard to fit. Below is the wire.

Front View

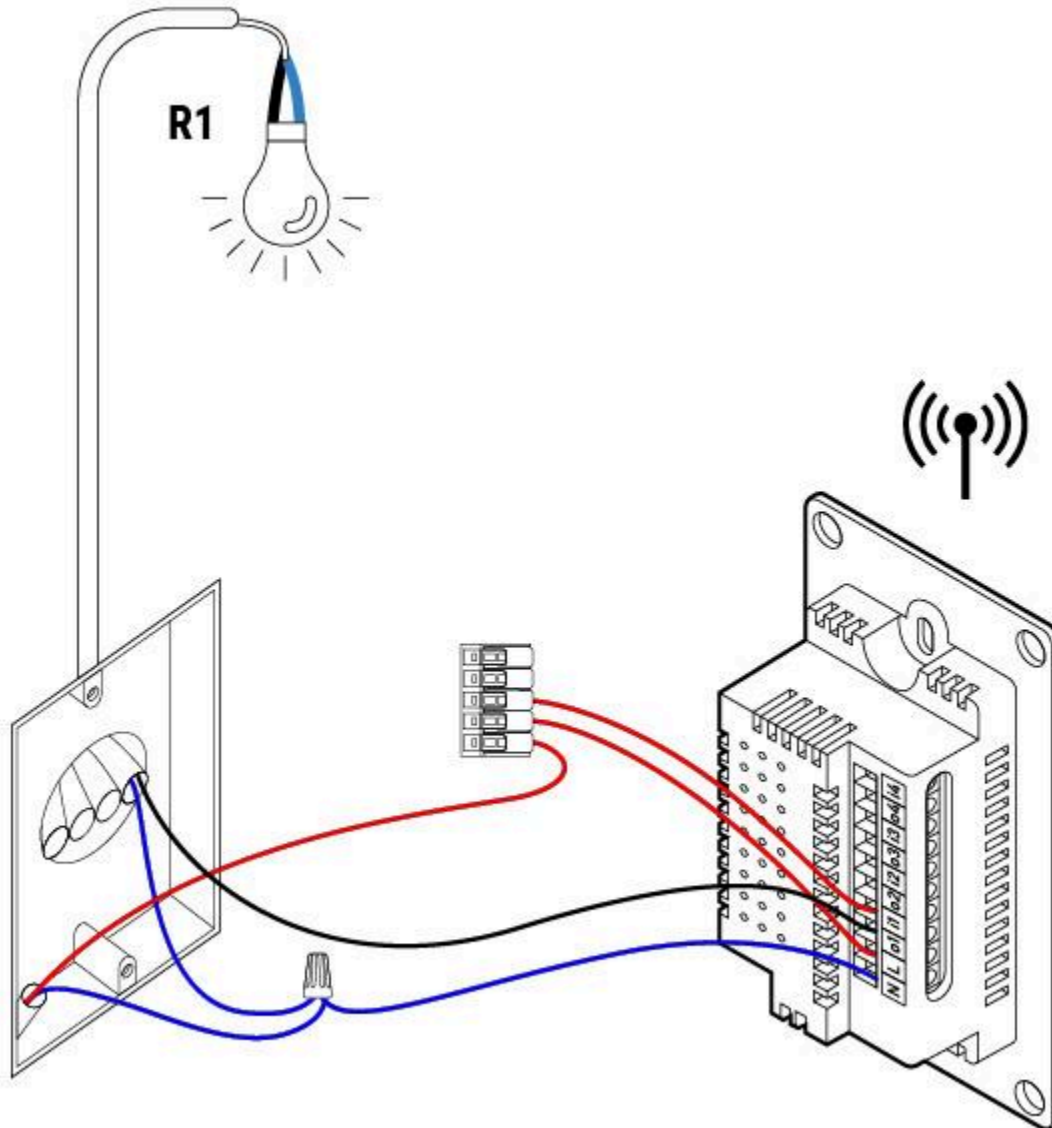


Back View



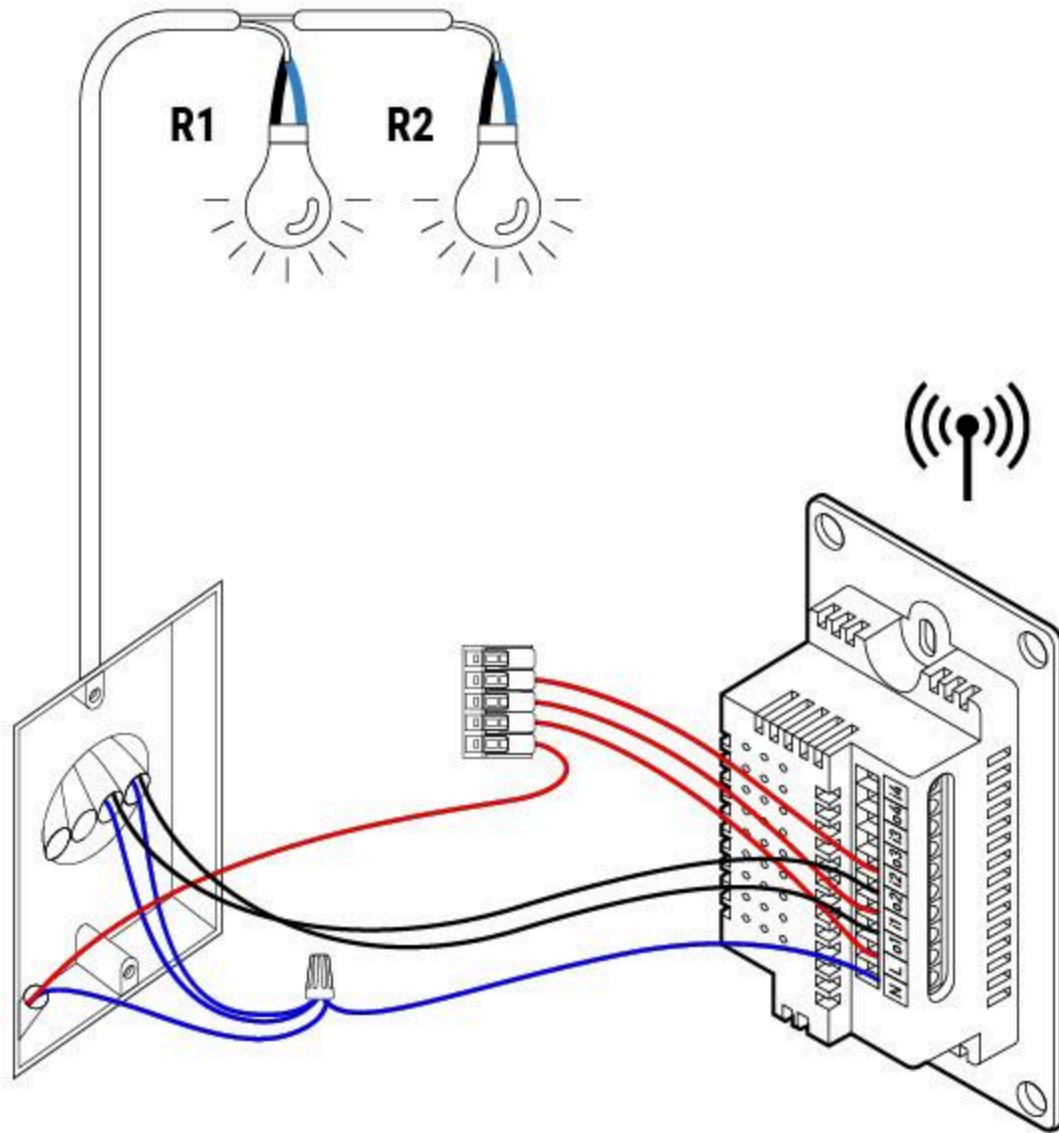
WIRING

Step 2: Wiring without LAN cable.



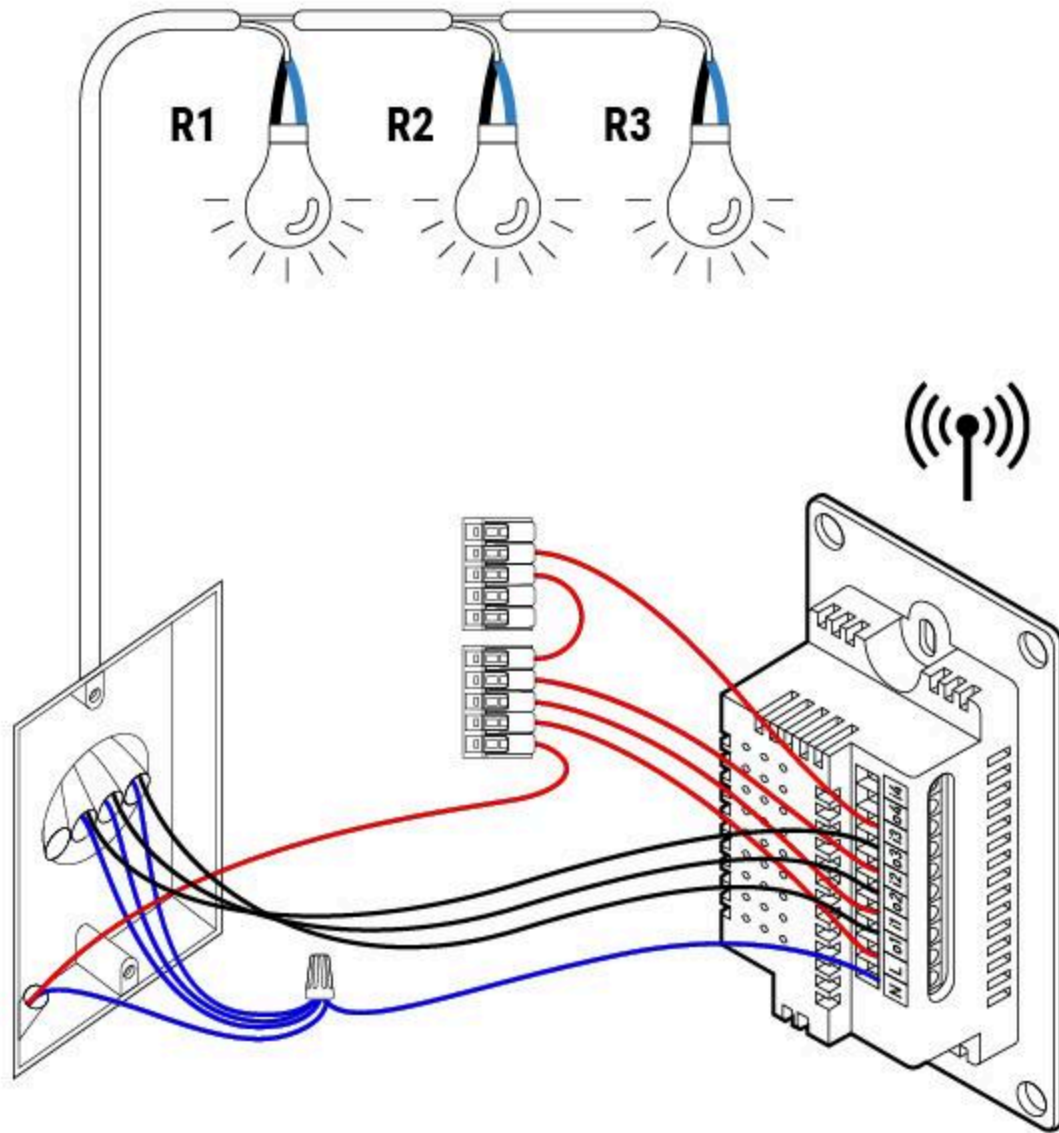
1 Gang

Red - Power Line (L)
Black - Load Line (R)
Blue - Neutral Line(N)



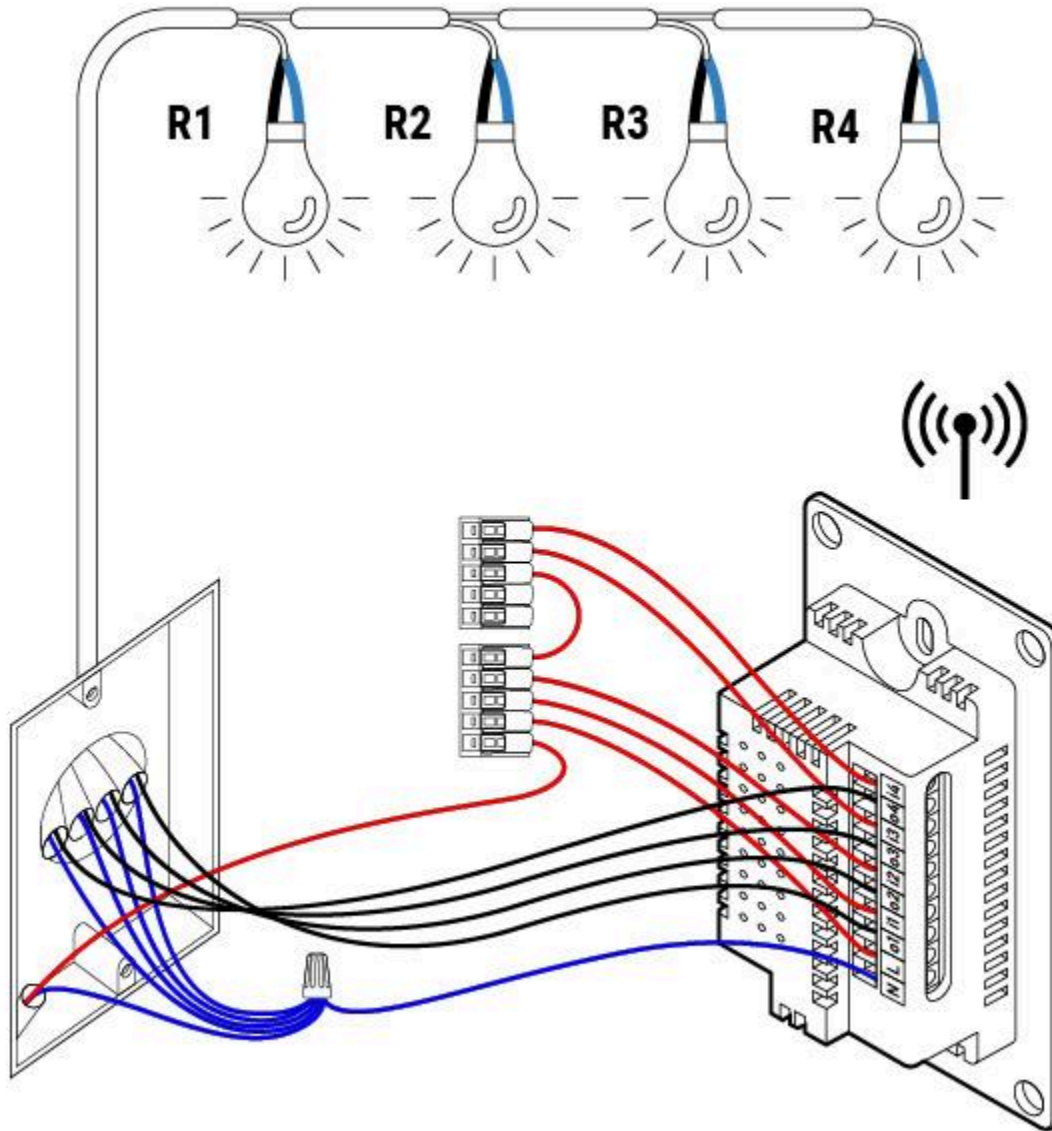
2 Gang

Red - Power Line (L)
Black - Load Line (R)
Blue - Neutral Line(N)



3 Gang

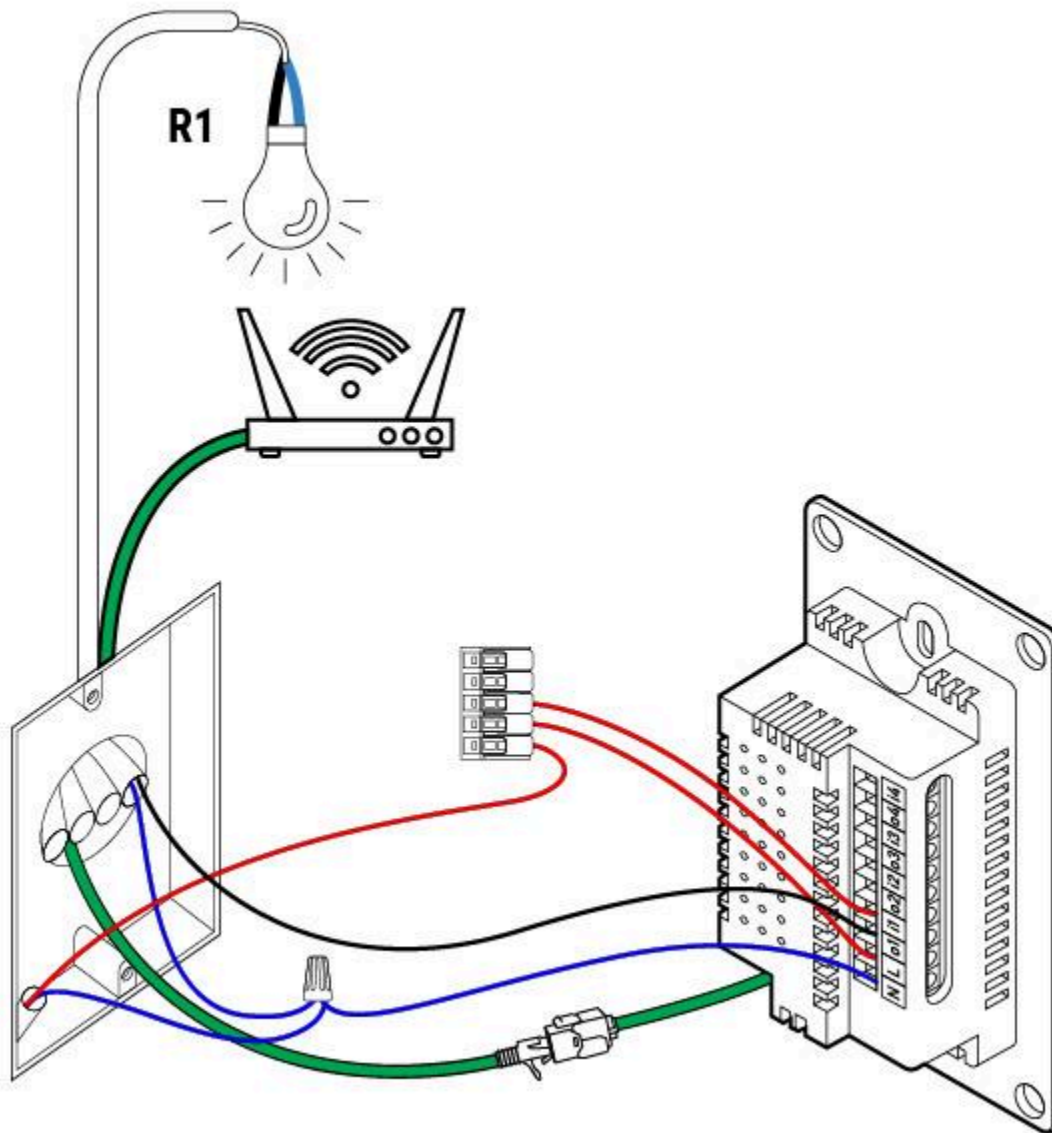
Red - Power Line (L)
Black - Load Line (R)
Blue - Neutral Line(N)



4 Gang

Red - Power Line (L)
Black - Load Line (R)
Blue - Neutral Line(N)

Step 2: Wiring with Ethernet LAN cable.



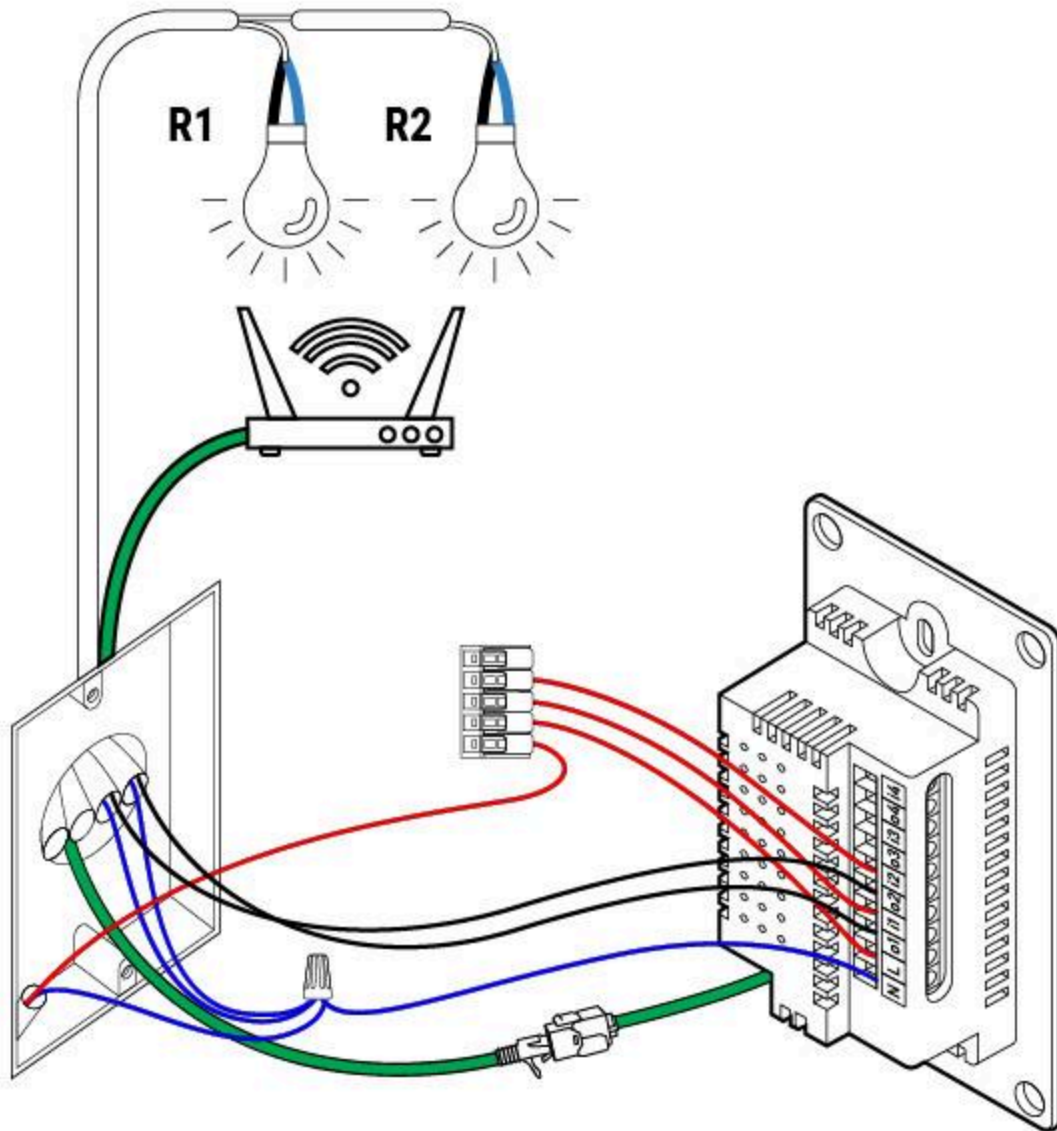
1 Gang

Red - Power Line (L)

Black - Load Line (R)

Blue - Neutral Line(N)

Use the communication cable to connect the Ethernet LAN cable to the Wi-Fi router port.



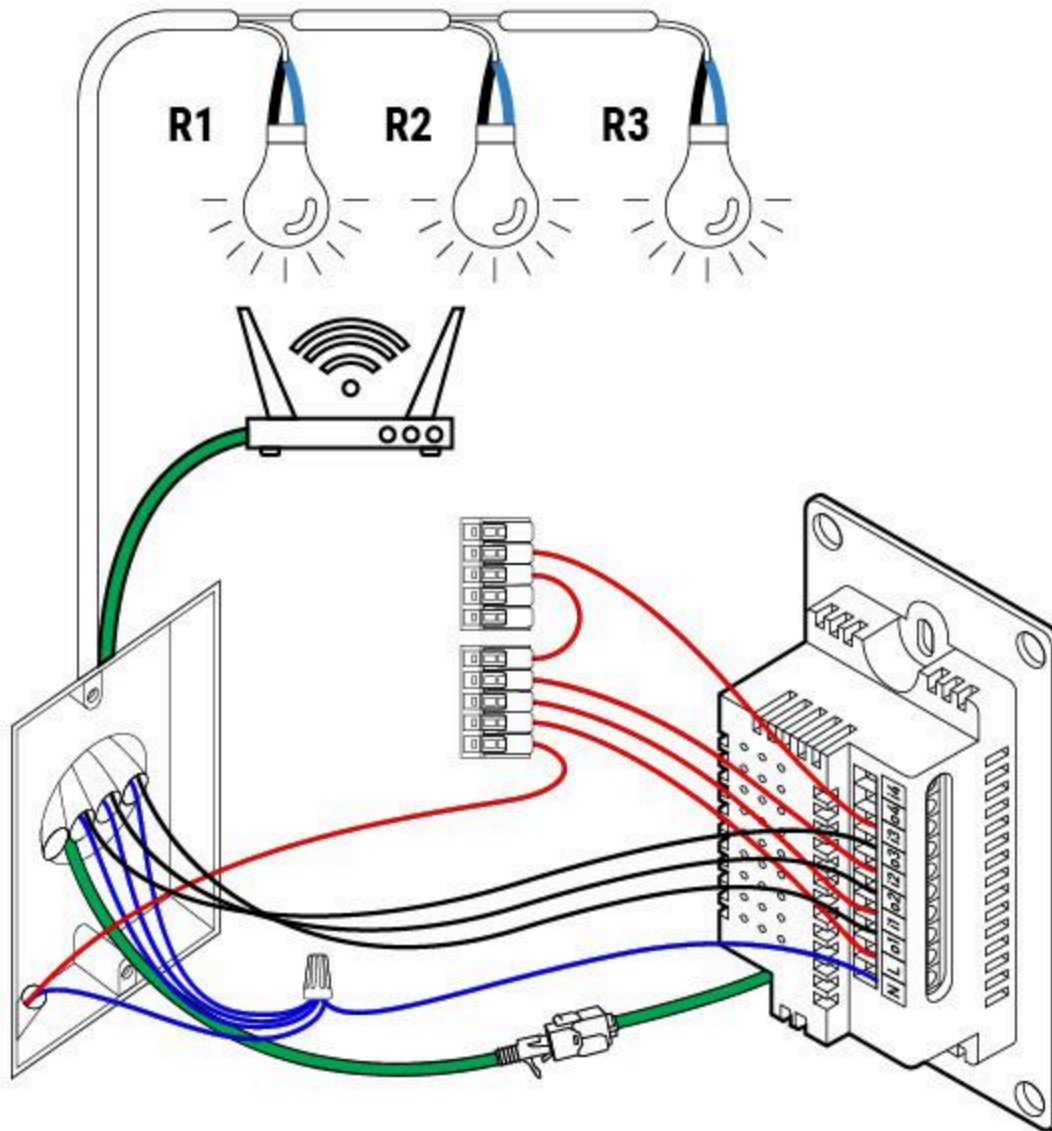
2 Gang

Red - Power Line (L)

Black - Load Line (R)

Blue - Neutral Line(N)

Use the communication cable to connect the Ethernet LAN cable to the Wi-Fi router port.



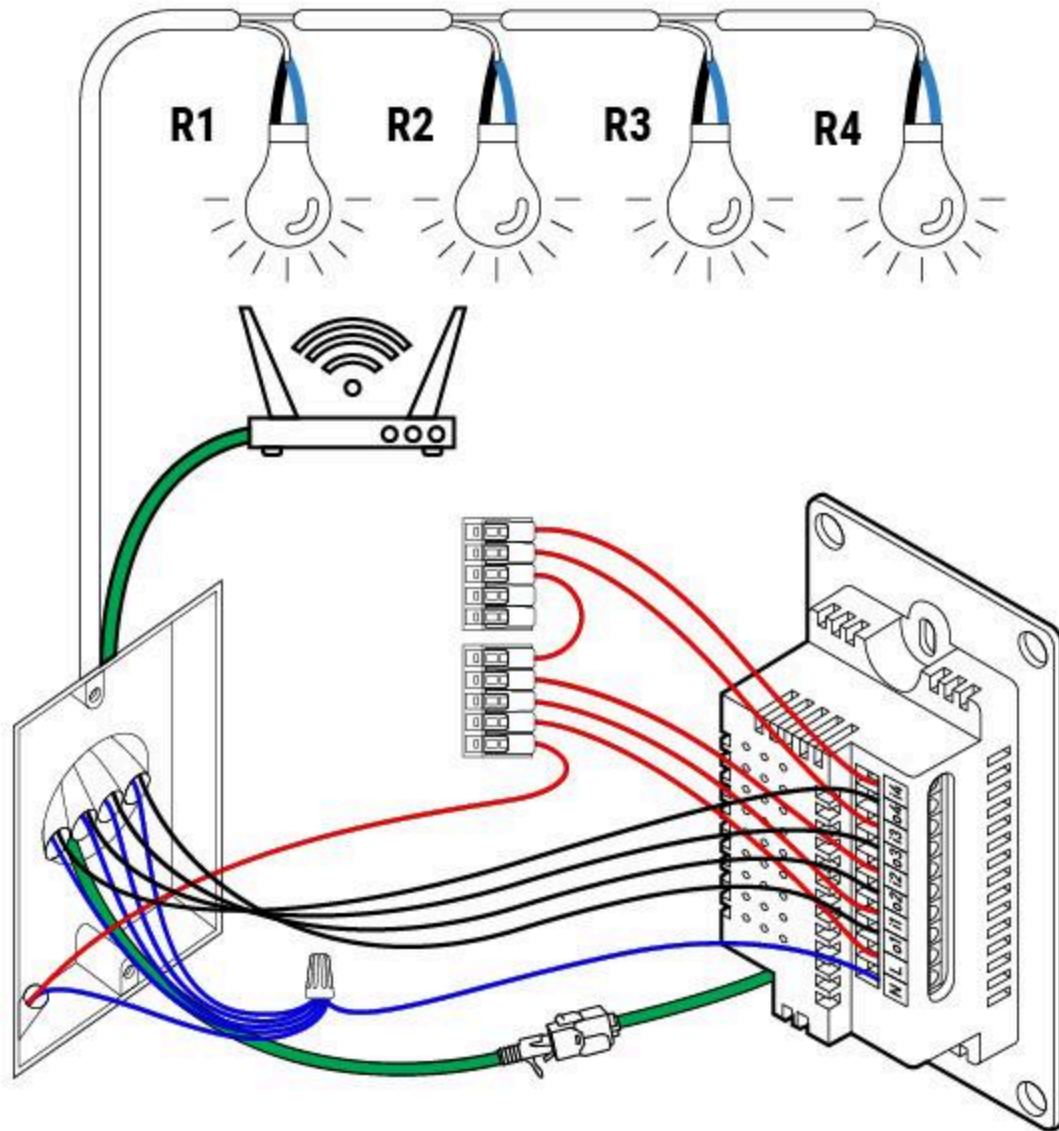
3 Gang

Red - Power Line (L)

Black - Load Line (R)

Blue - Neutral Line(N)

Use the communication cable to connect the Ethernet LAN cable to the Wi-Fi router port.



4 Gang

Red - Power Line (L)

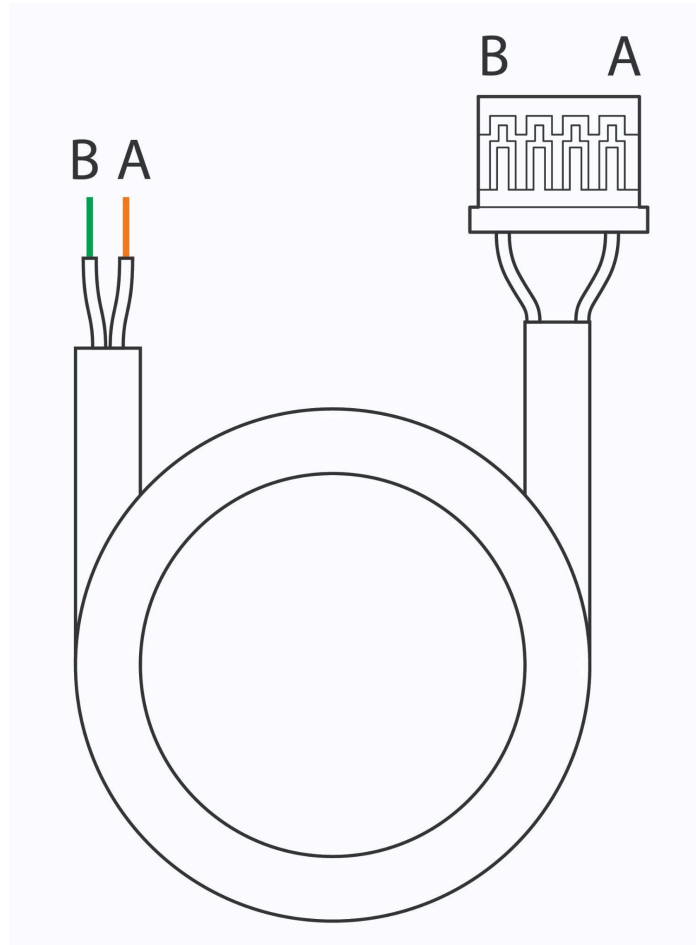
Black - Load Line (R)

Blue - Neutral Line(N)

Use the communication cable to connect the Ethernet LAN cable to the Wi-Fi router port.

Step 2: S2S Wire Installation

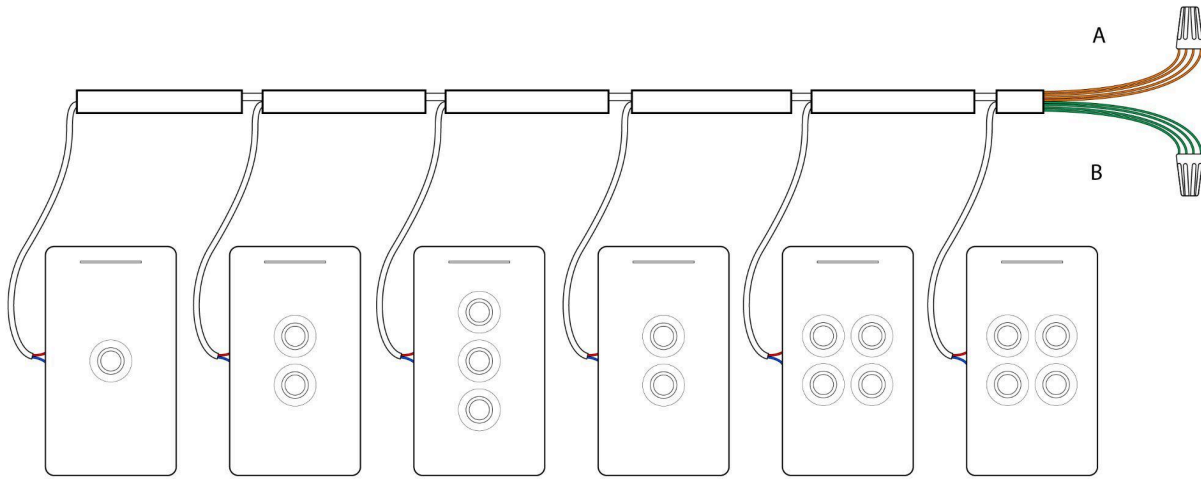
Traveler Wire diagram



Recommended wire type: 24AWG Shielded 2 Core Cable

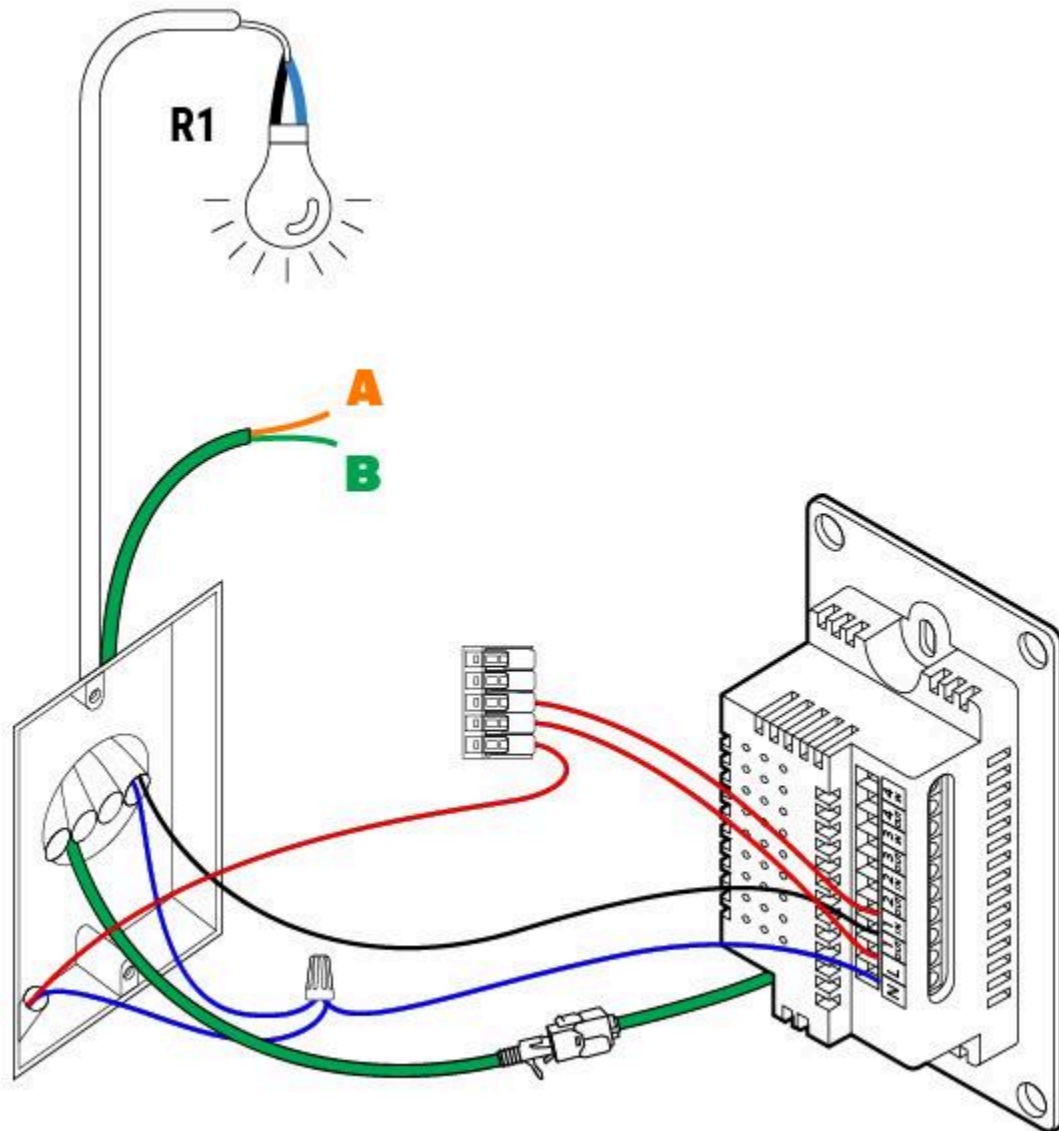
SAMPLE ILLUSTRATION OF CONNECTED SWITCHES USING TRAVELER WIRES

If connecting multiple devices, please provision a traveler wire home run to have a central point location where the traveler wires will connect.



Up to 24 devices

Wiring for 1 - 4 Gang



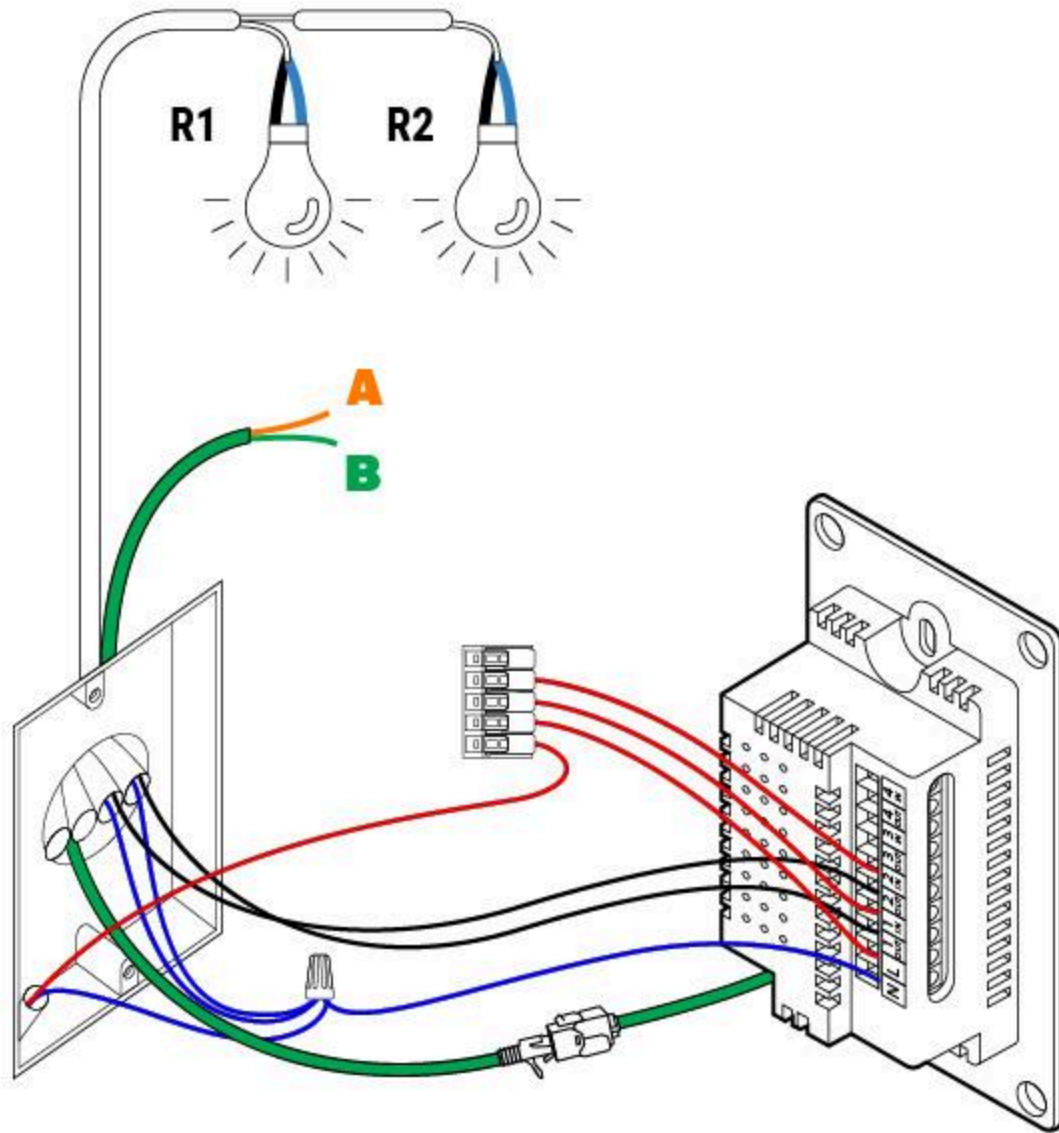
1 Gang

Red - Power Line (L)

Black - Load Line (R)

Blue - Neutral Line(N)

Connect the traveler wires together for switch to communicate



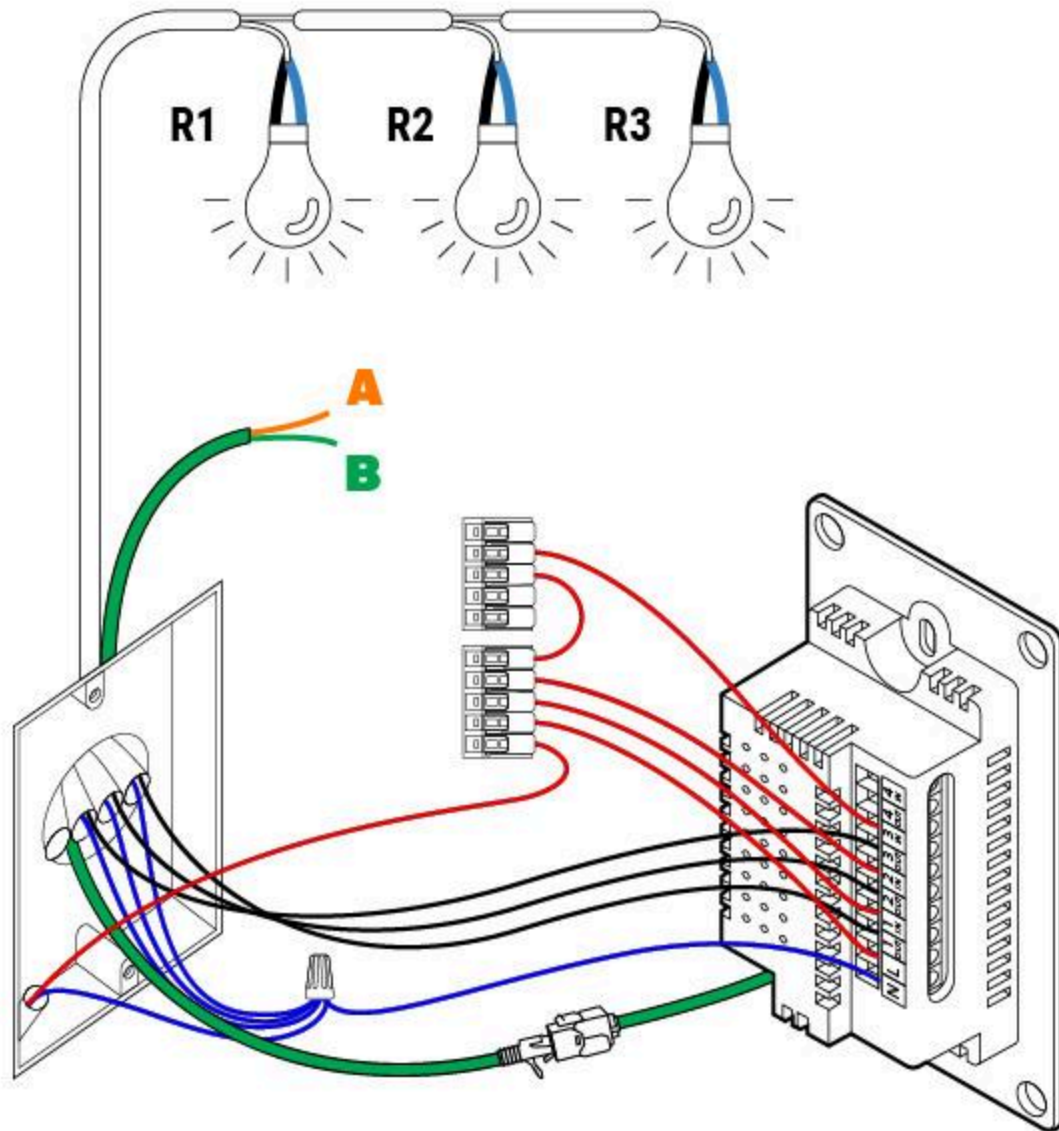
2 Gang

Red - Power Line (L)

Black - Load Line (R)

Blue - Neutral Line(N)

Connect the traveler wires together for switch to communicate



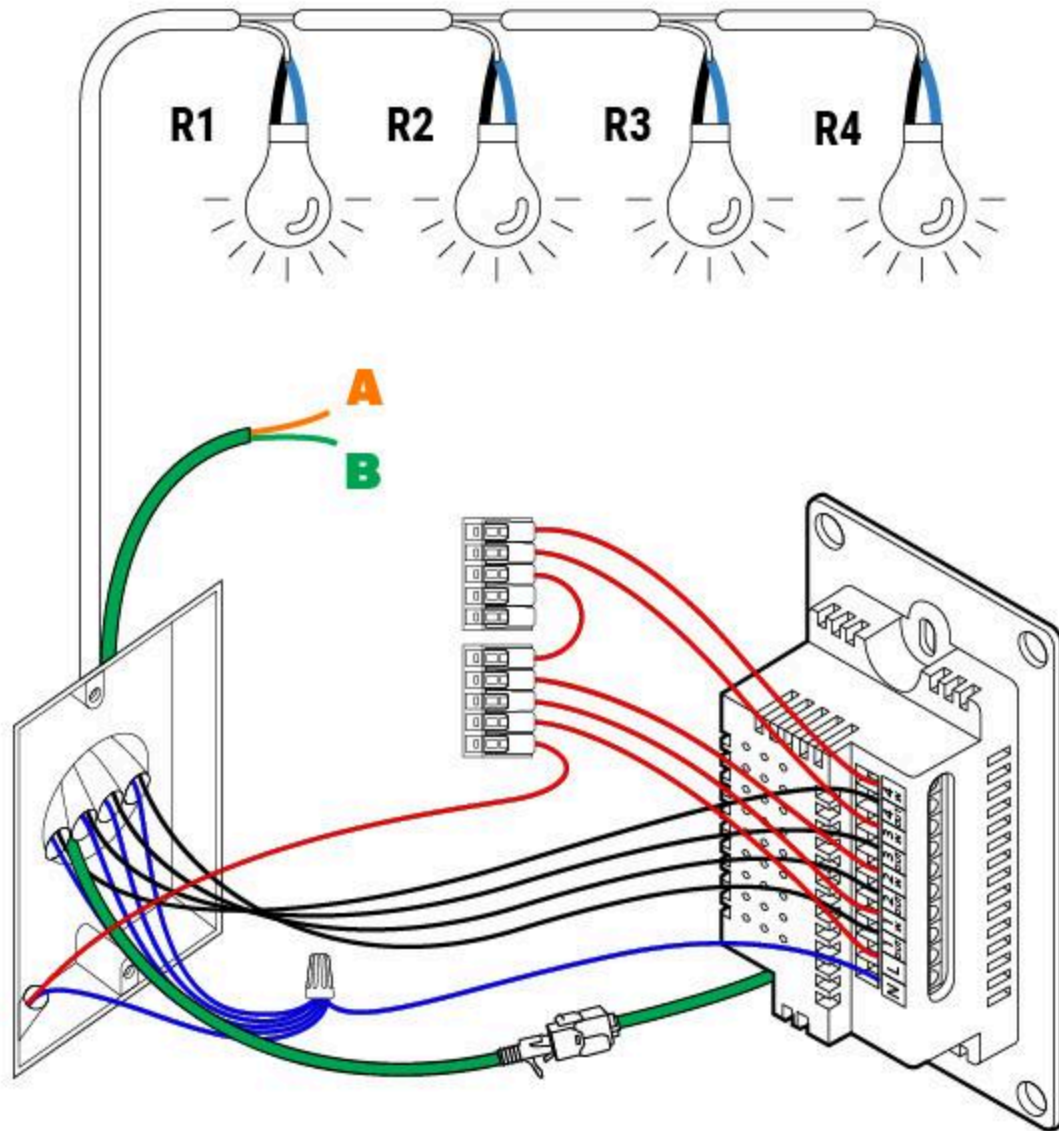
3 Gang

Red - Power Line (L)

Black - Load Line (R)

Blue - Neutral Line(N)

Connect the traveler wires together for switch to communicate



4 Gang

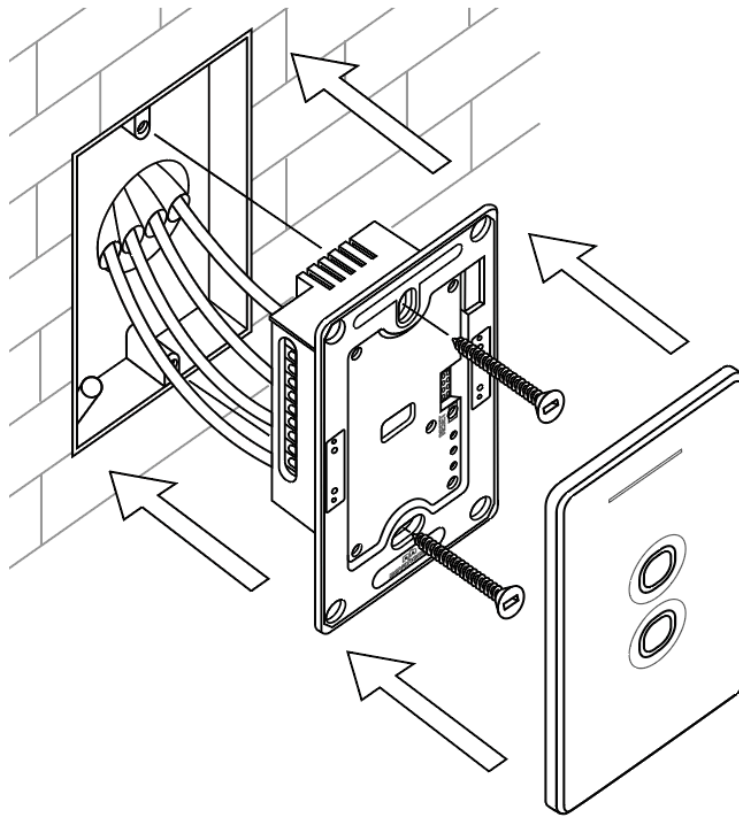
Red - Power Line (L)

Black - Load Line (R)

Blue - Neutral Line(N)

Connect the traveler wires together for switch to communicate

Step 3: Insert the hub into the switchbox. Secure the hub with top and bottom screws. Attach the magnetic front Switch panel to the hub.



MOBILE APPLICATION

Please Download and install compatible Tuya APP from Google Play Store or Apple App Store.



Smart Life download link:

<https://play.google.com/store/apps/details?id=com.tuya.smartlife>
<https://apps.apple.com/ph/app/smart-life-smart-living/id1115101477>

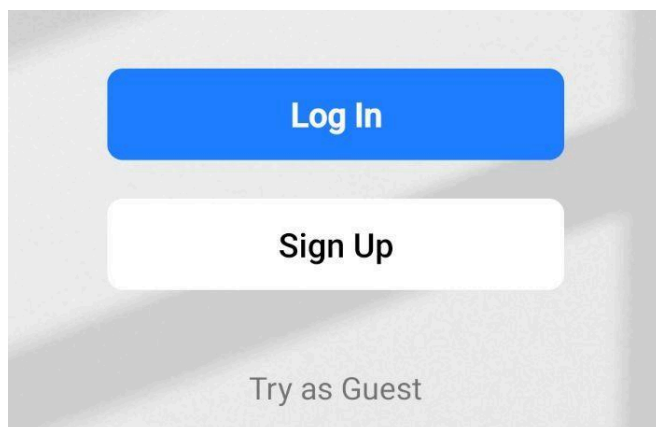


Tuya download link:

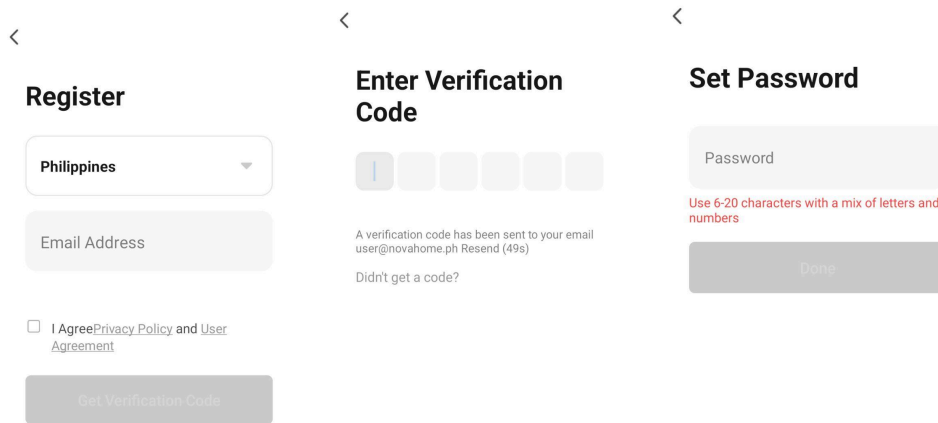
<https://play.google.com/store/apps/details?id=com.tuya.smart>
<https://apps.apple.com/ph/app/tuya-smart/id1034649547>

Account Registration

1. Register an account.



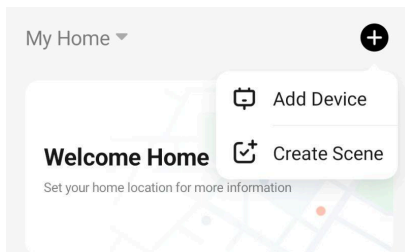
2. Choose your country then input your email to receive a verification code.
3. Input the verification code and set your password.
4. Once done, add a device.



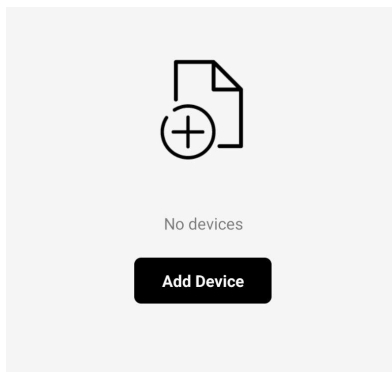
Adding a device

There are two options to add a device:

Option 1: By clicking plus sign at the top right corner.

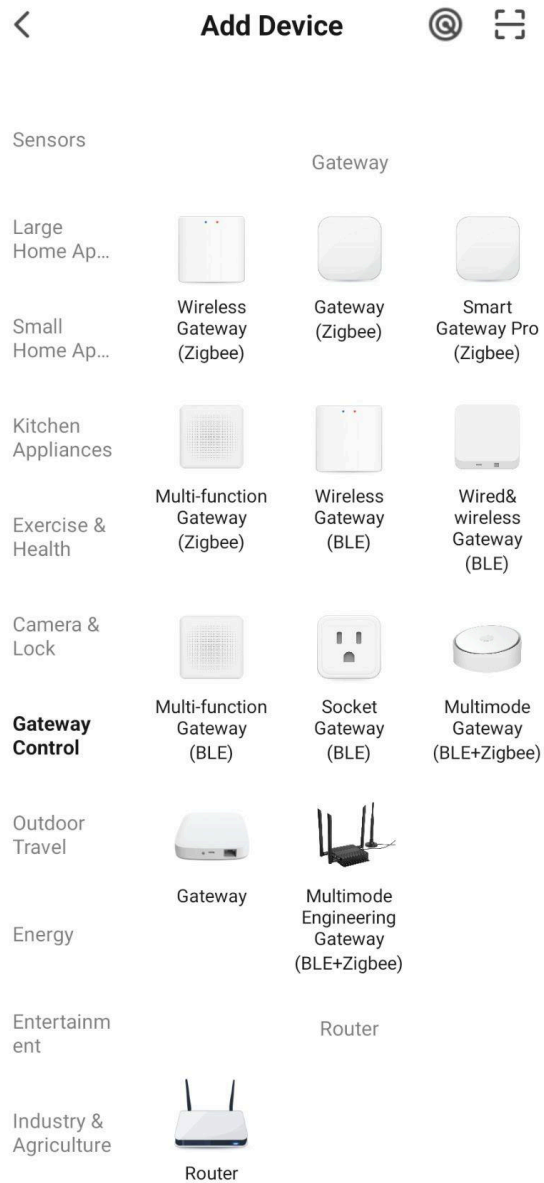


Option 2: By clicking add device at the center of the APP.



Adding Ethernet Hub/Gateway

Choose **Gateway Control** and click **Gateway (Zigbee)** and follow APP instructions.

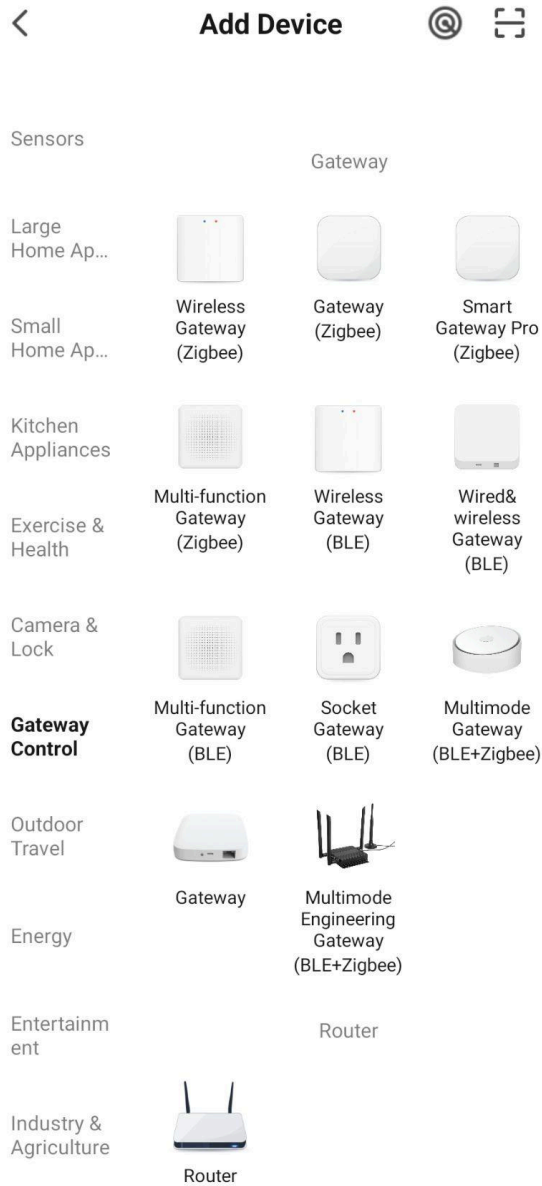


To set the device to pairing mode (please go to hub pairing instructions page).

Note: Make sure your mobile phone is connected to the same Wi-Fi network.

Adding Wi-Fi Hub/Gateway

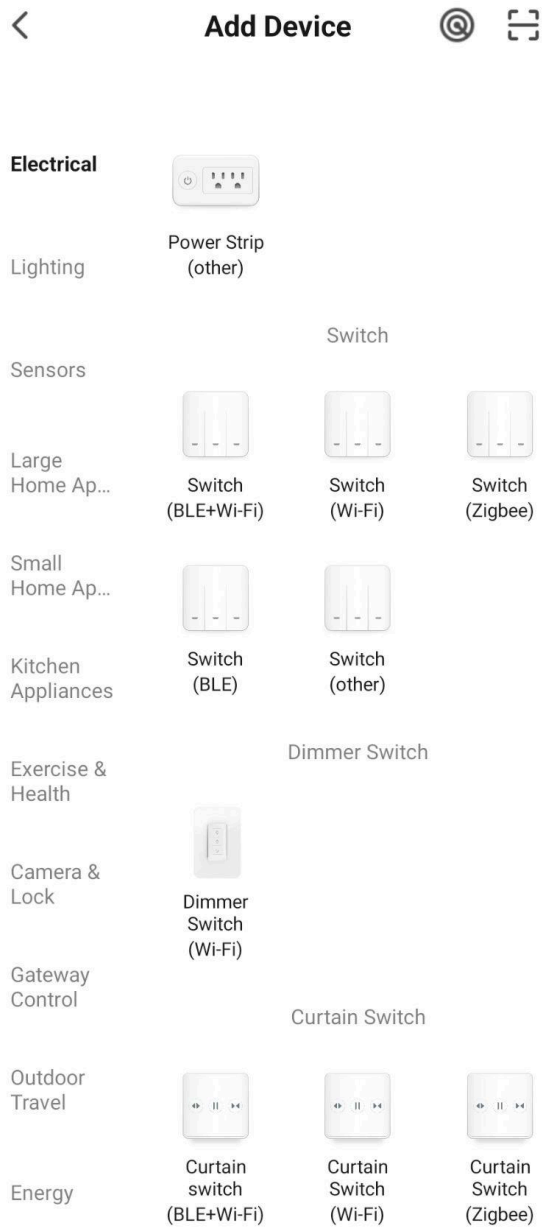
Choose **Gateway Control** and click **Wireless Gateway (Zigbee)** and follow APP instructions. To set the device to pairing mode (please go to hub pairing instructions page).



Note: When connecting the gateway, make sure that the mobile phone is connected to 2.4GHz Wi-Fi, otherwise the gateway cannot be registered through the cloud, and the connection cannot be successful.

Adding Switch

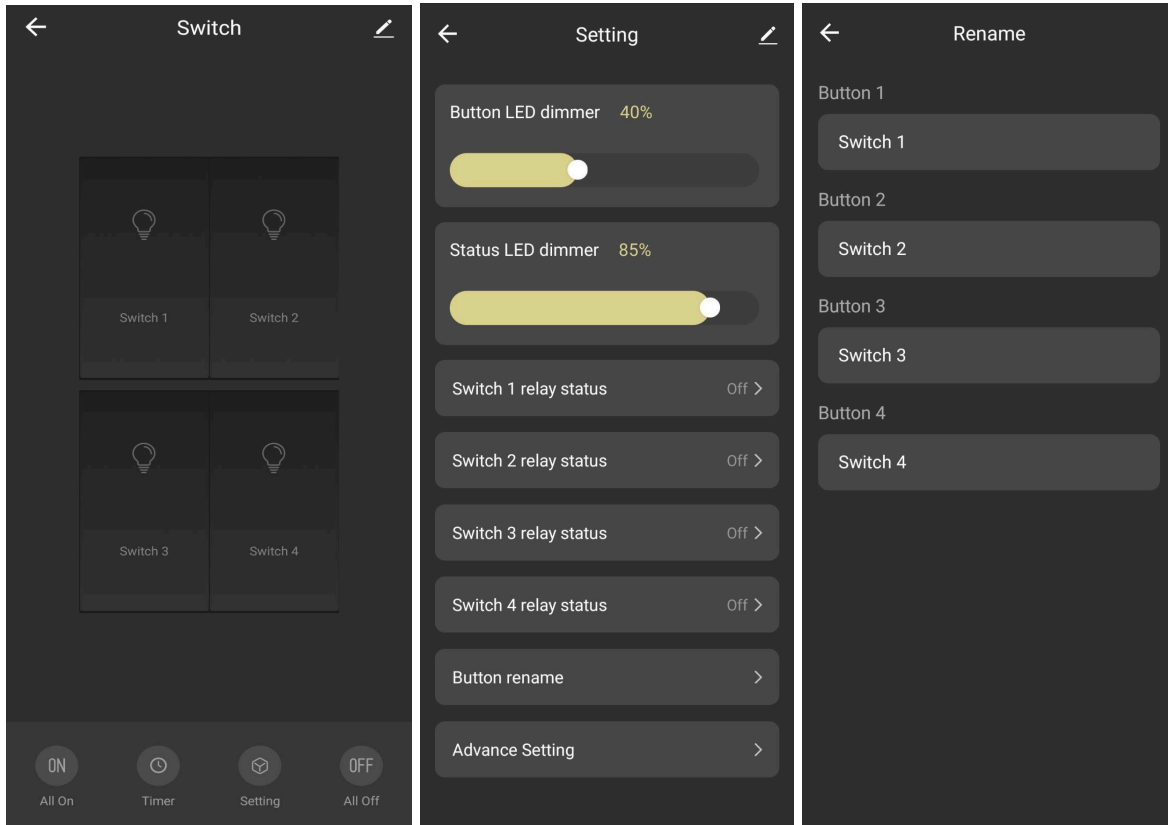
Choose **Electrical** and click **Switch (Zigbee)** and follow APP instructions.



How to rename APP buttons

1. Setting > Button rename > Type the preferred button name

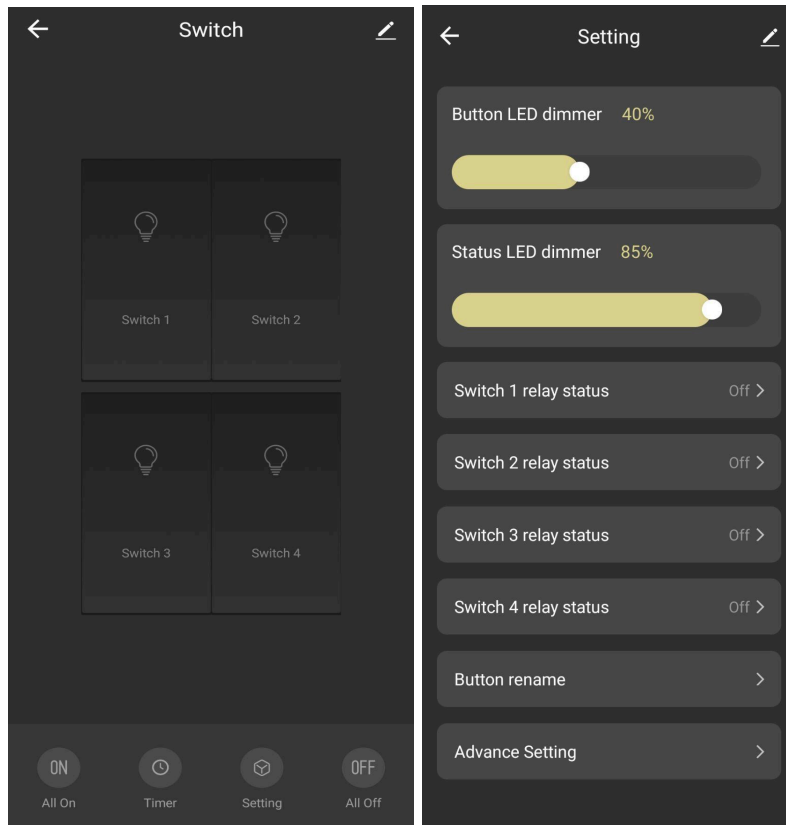
Note: Please always refresh the APP before changing settings to ensure the APP is connected to the internet.



How to Dim Touch Button LED & the Glass Status LED

1. Setting > Slide to adjust dim level 0~100

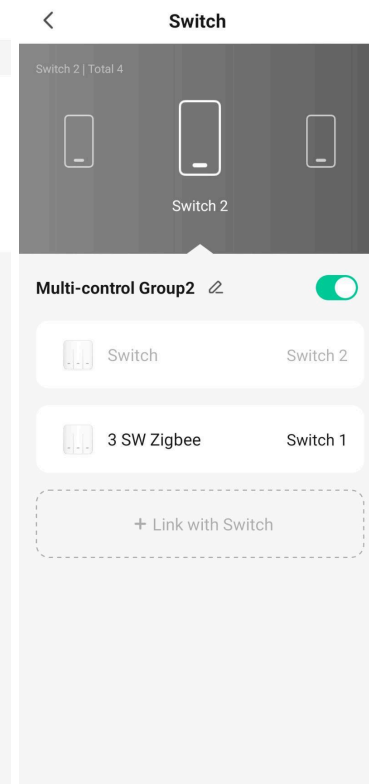
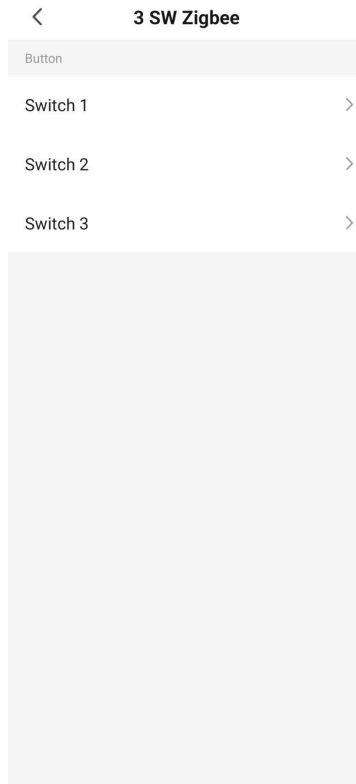
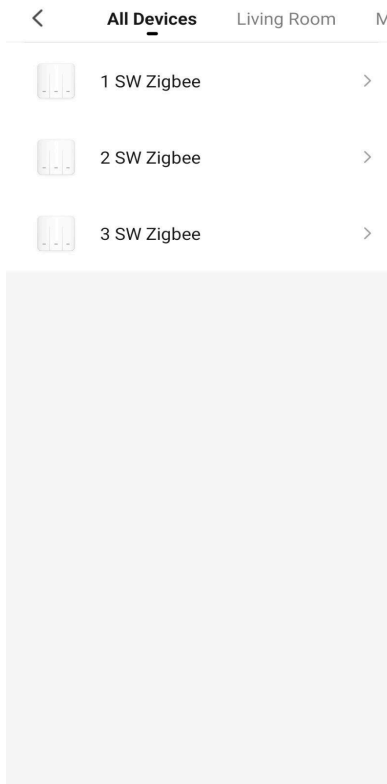
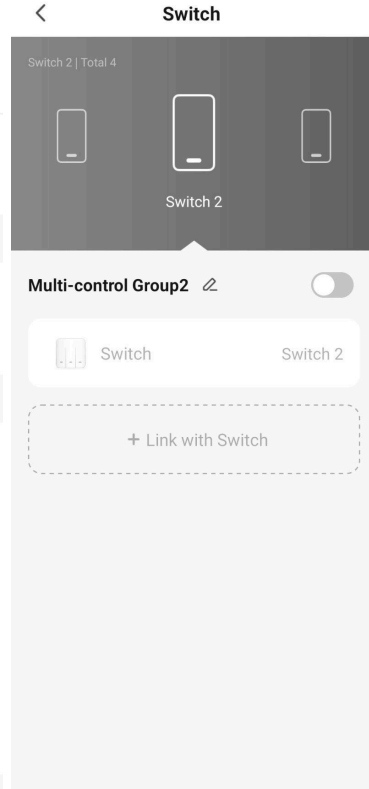
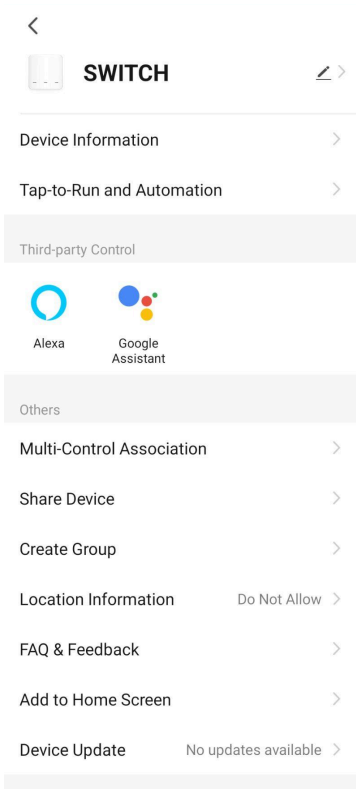
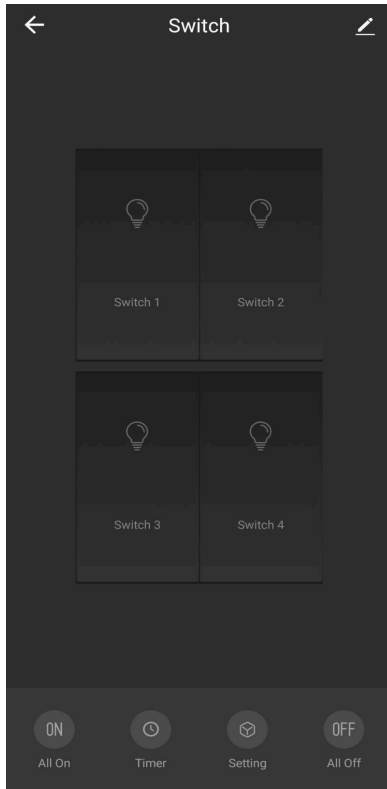
Note: Please always refresh the APP before changing settings to ensure the APP is connected to the internet.



How to set Multi-Control Association

Before setting please review possible conflicts in saved automations from user and Advance setting from CMD values, paired S2S Switch to Switch Wired Multi-Button Association.

1. Got to the pencil icon located at the top right corner of the screen
2. Select Multi-Control Association
3. Select the intended button > + Link with Switch > Open the intended Switch > Select the intended button



How to set touch button to momentary mode

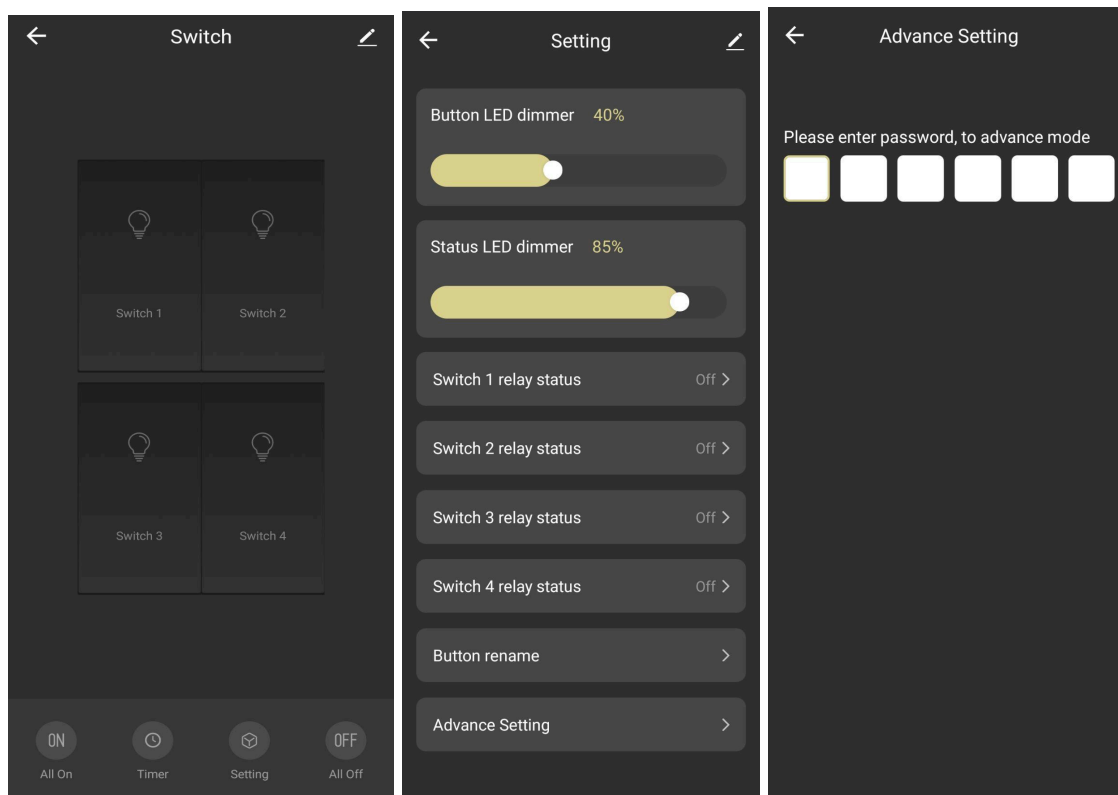
Momentary mode changes the operational character of the touch button in to a momentary touch switch. This means the button will only turn on if pressed, then off when released.

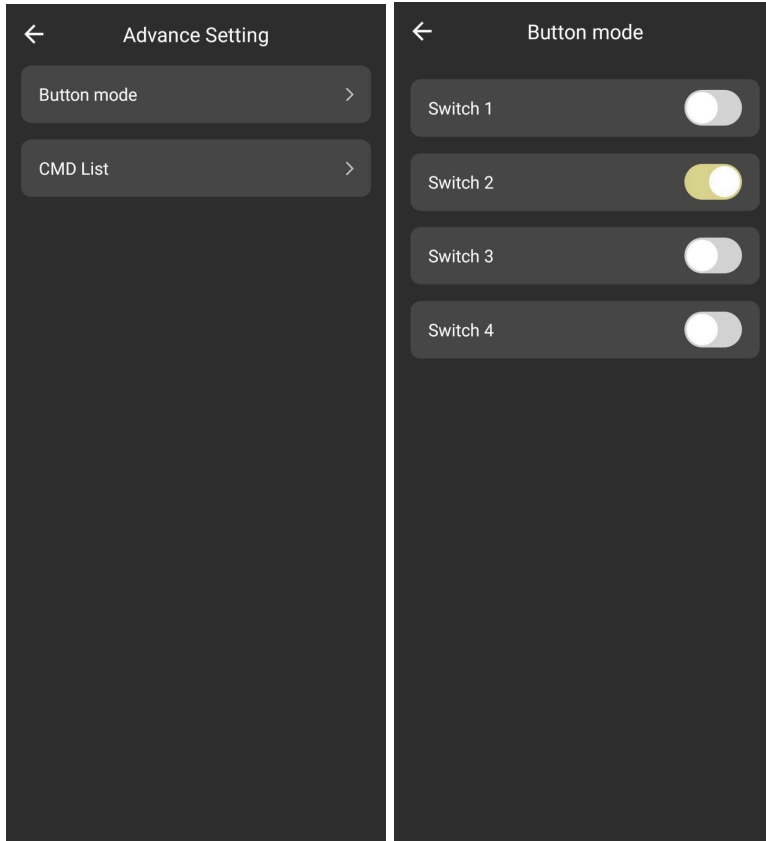
IMPORTANT NOTICE:: This setting is for advanced use cases. Please consult a professional if not sure. Before setting please review possible conflicts in saved automations from user and Advance setting from CMD values, paired S2S Switch to Switch Wired Multi-Button Association.

1. Setting > Advance Setting > Enter Password 001001 > Button mode > Toggle ON
(Momentary mode active)

2. To switch back to Normal switch mode, please toggle OFF.

Note: Please always refresh the APP before changing settings to ensure the APP is connected to the internet.





How to Add and Set Switch CMD Values

CMD is an advanced setting to customize switch usage beyond the normal operational limits of switch. More CMD settings will be added in future versions.

List of CMD advance setting:

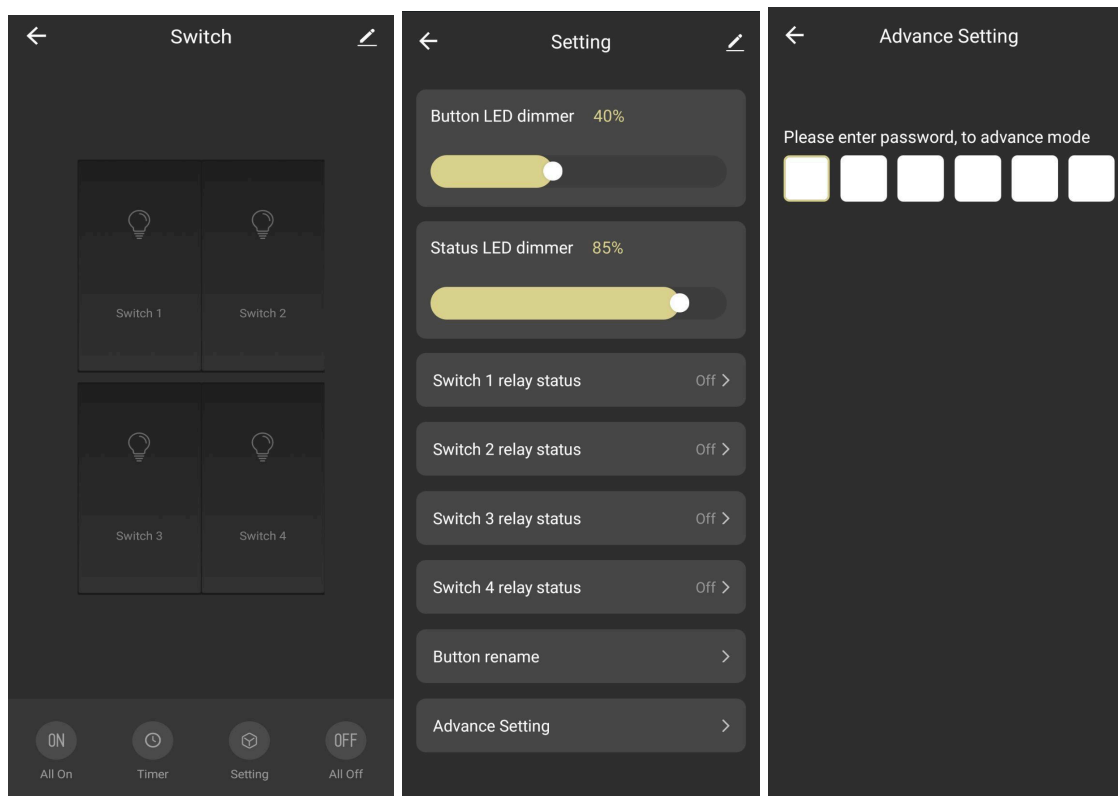
- CMD 1 Reverse relay for buttons 1-8
- CMD 2 Reverse relay for buttons 9-12
- CMD 3 Auto off, off delay for buttons 1-3
- CMD 4 Auto off, off delay for buttons 4-6
- CMD 5 Auto off, off delay for buttons 7-9
- CMD 6 Auto off, off delay for buttons 10-12
- CMD 7 LED index for buttons 1-4
- CMD 8 LED Index for buttons 4-8
- CMD 9 LED Index for buttons 7-9
- CMD 10 Disable Touch for buttons 1-8
- CMD 11 Disable Touch for buttons 9-12
- CMD 12 Off LED brightness level for buttons 1-8
- CMD 13 Off LED brightness level for buttons 9-12
- CMD 14 On LED brightness level for buttons 1-8

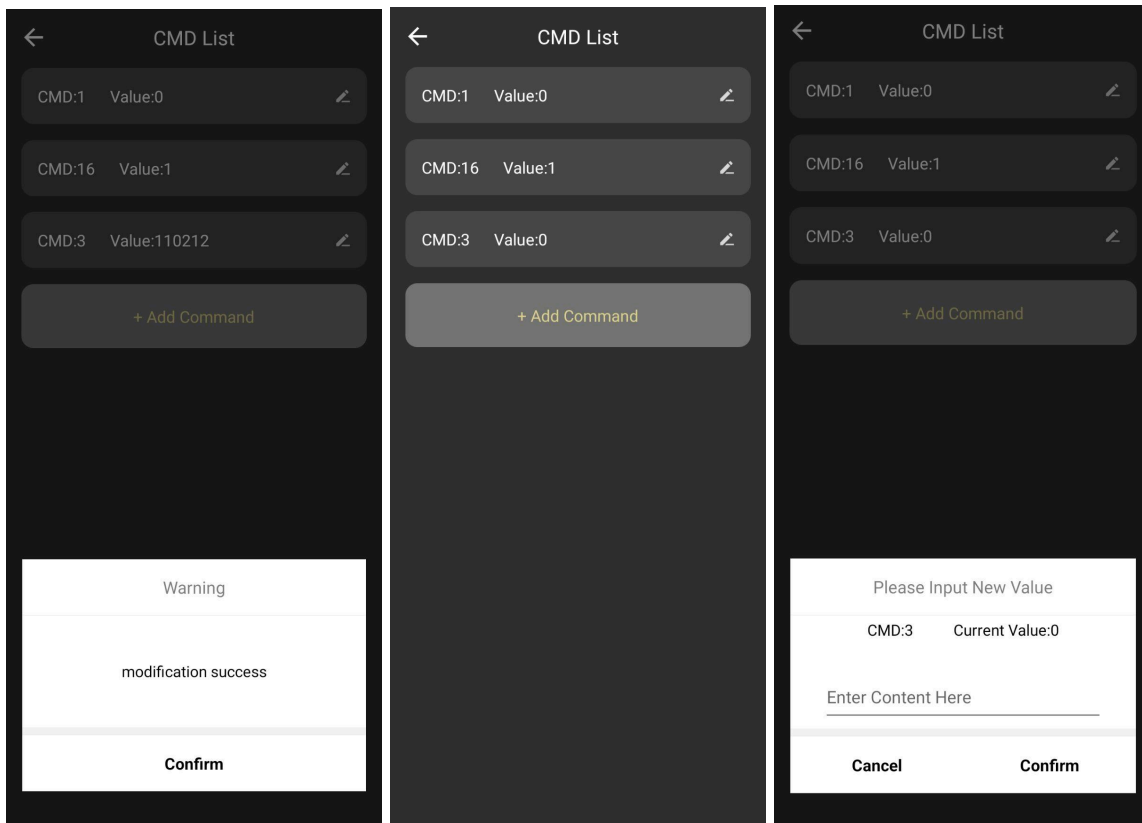
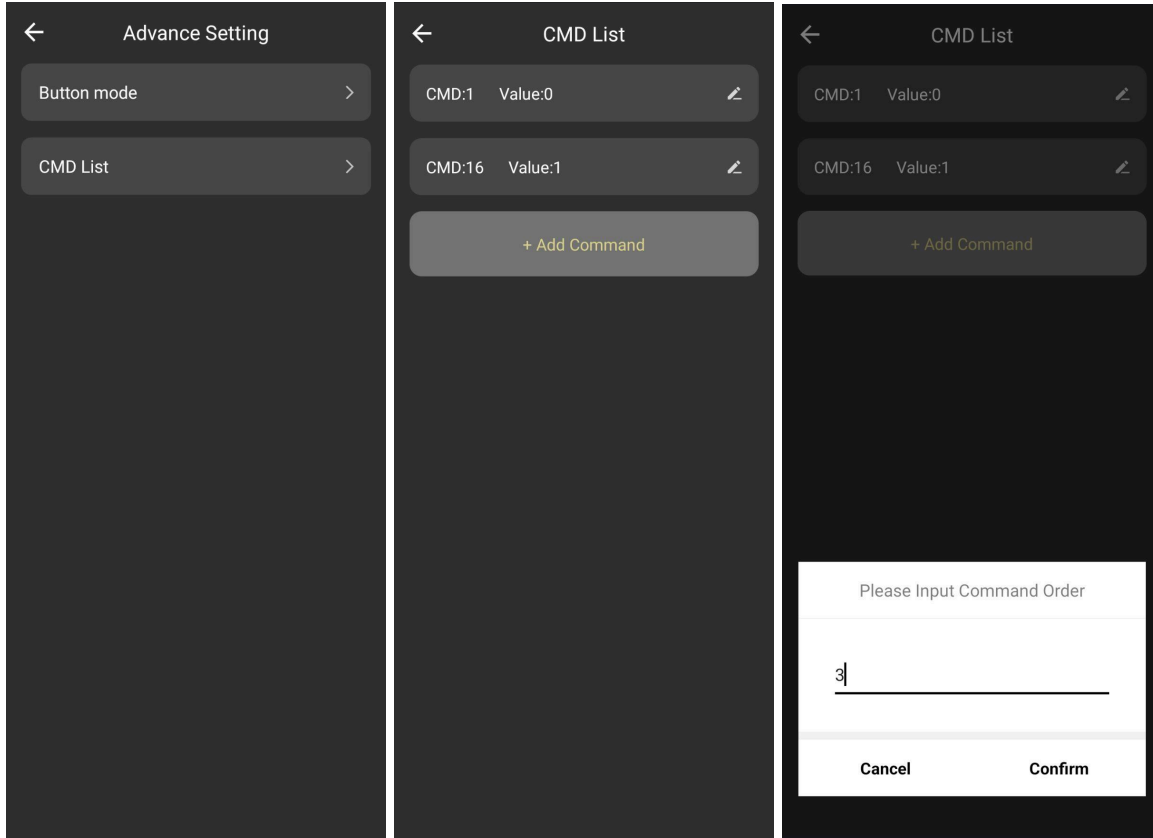
- CMD 15 On LED brightness level for buttons 9-12
- CMD 16 Status LED display modes

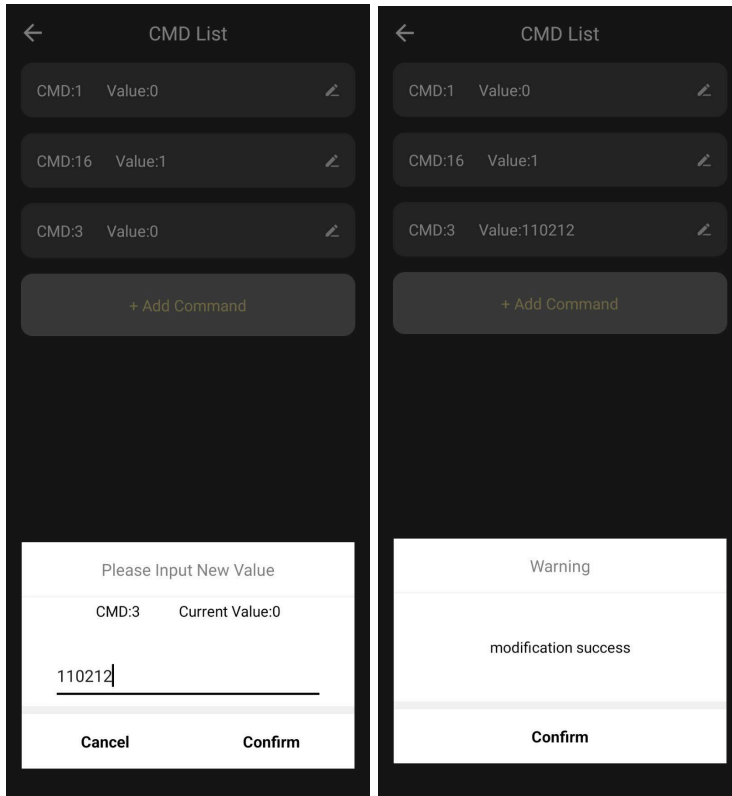
Use CMD calculator available at www.novahome.ph

IMPORTANT NOTICE:: This setting is for advanced use cases. Please consult a professional if not sure. Before setting please review possible conflicts in saved automations from user and Advance setting from CMD values, paired S2S Switch to Switch Wired Multi-Button Association.

1. Add Command: Setting > Advance Setting > Enter Password 001001 > CMD List > Add Command > input Command Number > Confirm
2. Add Value: Select the Pencil icon > Input desired Value > Confirm







CMD value calculator website: <https://novahome.ph/cmd/>

HUB PAIRING AND RESET

Ethernet Hub Pairing and Reset

Note: Make sure the Switchub LAN wire is connected to the internet Wi-Fi router LAN port. Please refer to wire installation instructions.

INSTALL MOBILE APPLICATION and sign in

Please Download and install compatible Tuya APP from Google Play Store or Apple App Store.



Smart Life download link:

<https://play.google.com/store/apps/details?id=com.tuya.smartlife>
<https://apps.apple.com/ph/app/smart-life-smart-living/id1115101477>



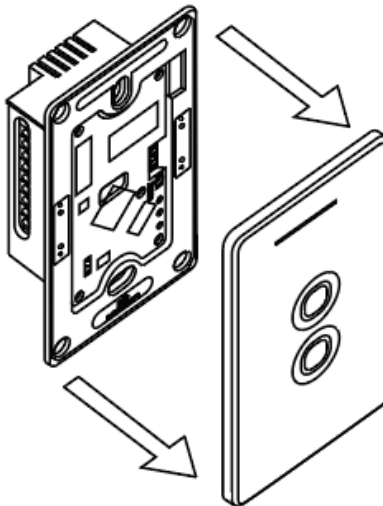
Tuya download link:

<https://play.google.com/store/apps/details?id=com.tuya.smart>
<https://apps.apple.com/ph/app/tuya-smart/id1034649547>

To Pair

Step 1:

Detach the smart touch panel to access the hub reset button and led indicators.

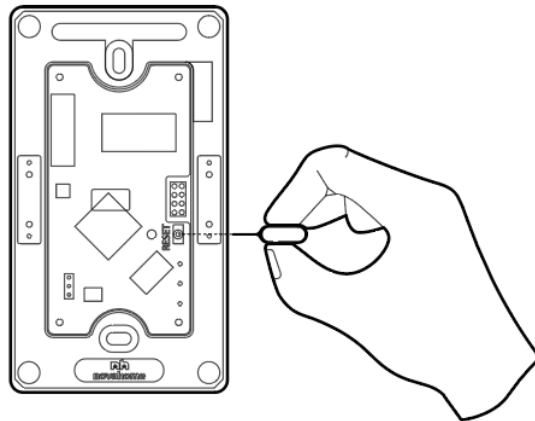


Step 2:

Ethernet Hub will automatically set to pairing mode when powered ON. Two green lights are ON when ready to pair.

To pair it to the APP, open APP:

Add device -> Choose Gateway Control -> Gateway (Zigbee). Follow APP instructions. For manual pairing, press reset and hold for 5 secs until blue light is ON and red light is flashing.



To reset

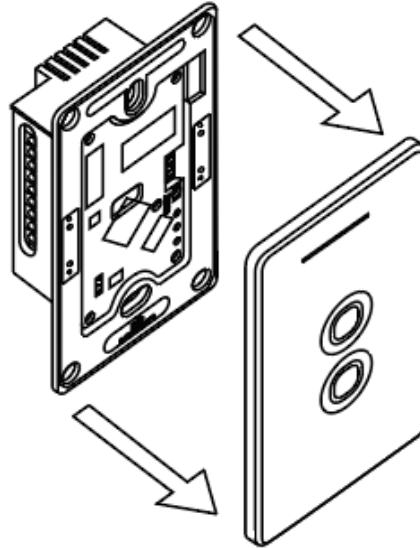
To manually set pairing mode or to RESET press and hold reset button for 5 secs until two green lights are ON and ready to pair.

Wi-Fi Hub Pairing and Reset

To Pair

Step 1:

Detach smart touch panel to access hub reset button and led indicators.



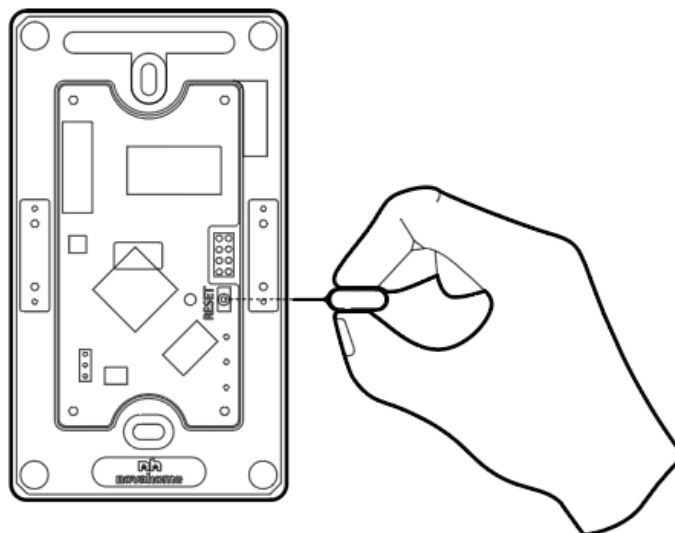
Step 2:

Wi-Fi Hub will automatically set to pairing mode when powered ON. Blue light is ON and the red light is blinking when ready to pair.

To pair to the APP, open APP:

Add device -> Choose Gateway Control -> Wireless Gateway (Zigbee). Follow APP instructions.

For manual pairing, press reset and hold for 5 secs until two green lights appear.



To reset

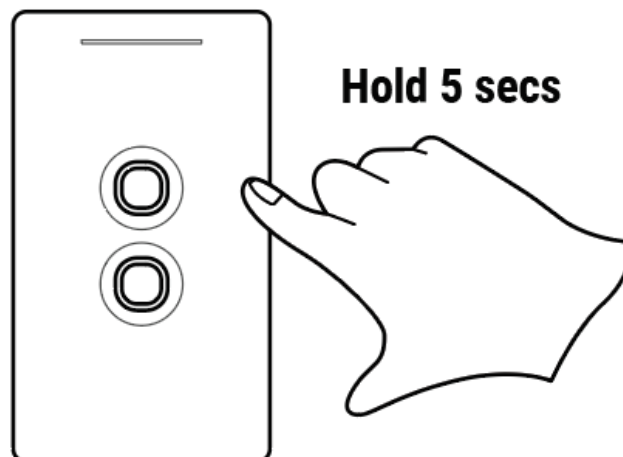
To manually set pairing mode or to RESET press and hold reset button for 5 secs. Blue light is ON and the red light is blinking when ready to pair.

Note: When connecting the Wi-Fi Hub, make sure that the mobile phone is connected to 2.4GHz Wi-Fi, otherwise the Wi-Fi Hub cannot be registered through the cloud, and the connection cannot be successful.

SMART TOUCH PANEL PAIRING/UNPAIRING to Smart Hub

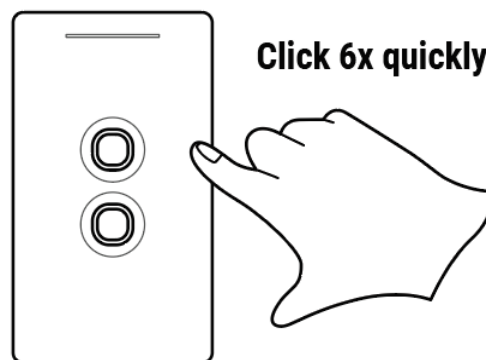
Pairing/Unpairing

1. Detach the smart touch panel from the main Hub. Pull by hand to detach.
2. Attach the smart touch panel back to the main Hub to power ON.
3. Immediately within 5 secs from power ON, press and hold any button until the status led flashes.



Factory reset

1. Detach the smart touch panel from the main Hub. Pull by hand to detach.
2. Attach the smart touch panel back to the main hub to power ON
3. Immediately within 5 secs from power ON, press buttons 6 times quickly until the status led flashes. Pause 2 seconds.
4. Press & hold for 3 seconds.



Note: Use the same button.

S2S Switch to Switch Wired Multi-Control Association Pairing

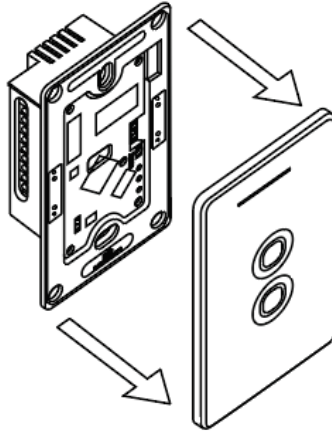
S2S is Switch to Switch direct wired association of switches same as 3 Way switching, except it's on a larger scale. Wired association is a stand alone feature that doesn't rely on smart hub or the internet to connect.

Note:

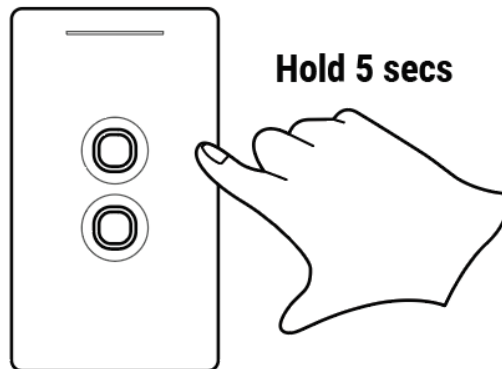
- *Only available in Evolv S2S Switchub. Max pairing up to 24 Switchubs.*
- *Pairing needs two Switchub to work*
- *Make sure Switchubs ports are wired together.*

1. Decide what buttons to pair from Switchub 1 and 2.

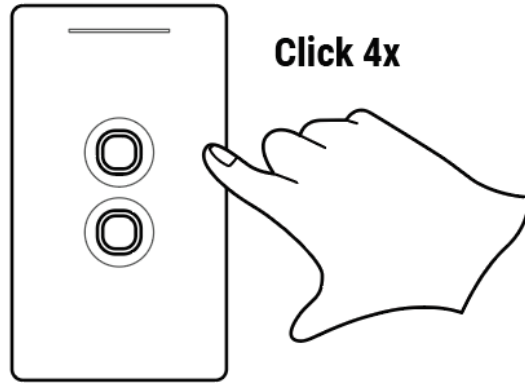
2. From Switchub 1, Detach the smart touch panel from the main Hub. Pull by hand to detach.



3. Attach the smart touch panel back to the main Hub to power ON.
4. Immediately within 5 secs from power ON, press and hold the desired button you want to pair with Switchub 2 until the status led and the selected button led flashes. The Switchub 1 is now ready to receive command from Switchub 2.



5. Go to Switchub 2 (Please allow 10s to pass before pressing Switchub 2), press the desired target button 4x. Pairing/unpairing done.



Note: test the buttons to see if pair/ unpairing is successful.

6. To pair/unpair additional devices/buttons, please repeat steps 1-5

