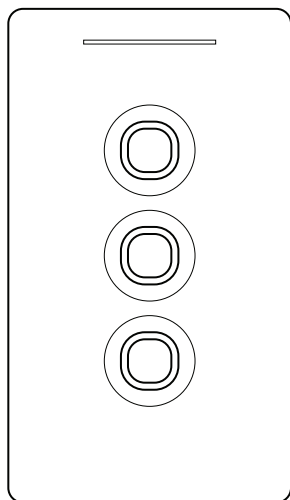




novahome

User Manual

## Evolv Switchhub

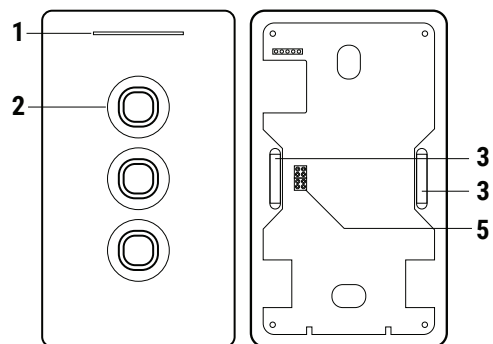


ES-3ZB-000 | ESH-3ZB-WLH | ESH-3ZB-WDH | ES-3ZB-S2S

## Table of Contents

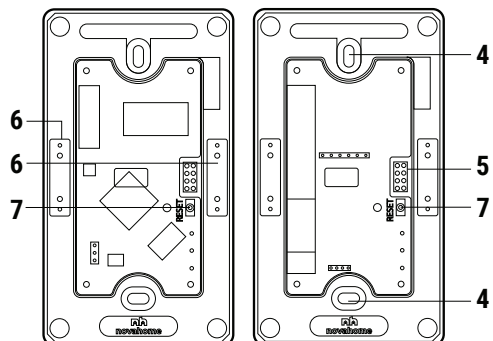
1. Product Details
2. Technical Specifications
3. Safety Reminders
  - 3.1 Installation
  - 3.2 Wiring
4. Mobile Application
  - 4.1 Account Registration
  - 4.2 To add Ethernet Hub/Gateway
  - 4.3 To add Wi-Fi Hub/Gateway
  - 4.4 To add Switch
5. Hub Pairing and Reset
  - 5.1 Ethernet Hub Pairing and Reset
  - 5.2 Wi-Fi Hub Pairing and Reset
  - 5.3 Smart Touch Panel Pairing & Reset

## 1. Product Details



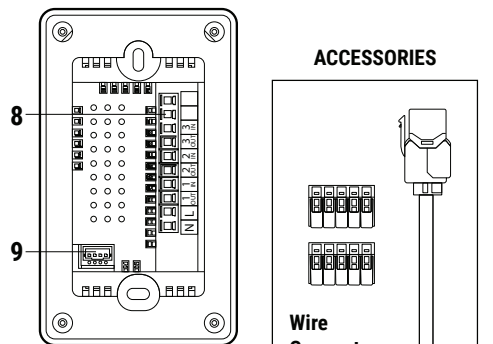
Front Panel

Back Panel



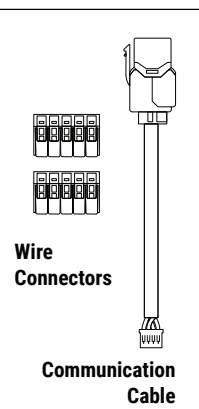
Ethernet Hub

Wi-Fi Hub



Back Hub

### ACCESSORIES



### Labels:

1. Dimmable Status Led  
Red - Offline  
Blue - Online
2. Dimmable Touch Buttons  
Red - ON  
Blue - OFF / Standby
3. Magnet
4. Screw Hole
5. Pin
6. Metal Plate
7. Reset Button
8. Wire Terminal
9. Communication Port

## 2. Technical Specifications

### Switch

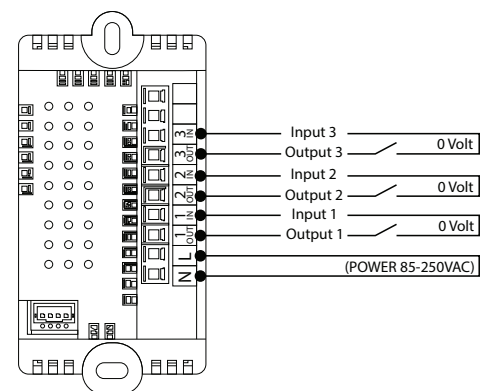
Neutral wire \_\_\_\_\_ Required  
 Dimension on Wall (HxWxD) \_\_\_\_\_ 120x70x7mm  
 Dimension in Wall (HxWxD) \_\_\_\_\_ 65x47x35mm  
 Screw Slot (H) \_\_\_\_\_ 82 - 86mm  
 Power Rating \_\_\_\_\_ 85-250VAC, 50/60Hz  
 Load Rating per Button \_\_\_\_\_ 1000W Resistive  
 \_\_\_\_\_ (Incandescent Bulbs)  
 \_\_\_\_\_ 150W Capacitive (LED Lights)  
 \_\_\_\_\_ 150W Inductive (Motors, Fan, Hairdryer)  
 Overcurrent Protective Device External: \_\_\_\_\_ 15A Circuit  
 \_\_\_\_\_ Breaker

Operating Temperature \_\_\_\_\_ 32°F to 104°F or 0°C to 40°C  
 Storage Temperature \_\_\_\_\_ -4°F to 158°F or 20°C to 70°C  
 Wireless Range \_\_\_\_\_ 10 - 50 Meters  
 Mesh \_\_\_\_\_ Available  
 Encryption Security Level \_\_\_\_\_ 128-bit AES  
 Radio Protocol, Power \_\_\_\_\_ Zigbee 3.0, 1mW  
 Radio Frequency \_\_\_\_\_ 2.4 GHz  
 Weight \_\_\_\_\_ 200g

### Hub

CPU \_\_\_\_\_ Quad-core ARM®  
 RAM & ROM \_\_\_\_\_ 512MB & 4GB eMMC  
 No. of Zigbee Devices Support per Controller \_\_\_\_\_ 120  
 Encryption Security Level \_\_\_\_\_ 128-bit AES  
 Internet Connectivity \_\_\_\_\_ Wi-Fi Or Ethernet  
 Wireless Range \_\_\_\_\_ 10 - 50 Meters  
 Radio Protocol \_\_\_\_\_ Zigbee 3.0  
 Radio Frequency \_\_\_\_\_ 2.4 GHz

## Device Terminals



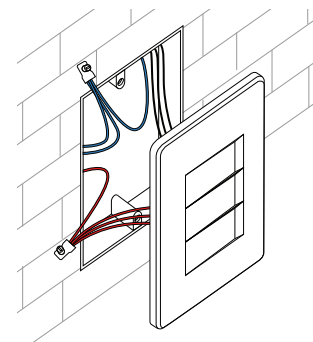
- Voltage Free Output contact (dry contact), so different supply loads under 10A can be connected to the device.
- Switch may work as push-button (momentary switch) and toggle switch.

The terminals are thoughtfully designed to serve the same purpose as a traditional switch, this design enables functionality to integrate smart modules for various applications such as gate control, doorbell operation, curtain management, and more. Alternatively, they can be used as a direct switch, similar to a traditional switch.

## 3. Safety Reminders

Installation of this device requires a great degree of skill and may be performed only by a licensed and qualified electrician. Please keep in mind that even when the device is turned OFF, voltage may still be present in the device's terminals.

Before Evolv Switchhub installation:

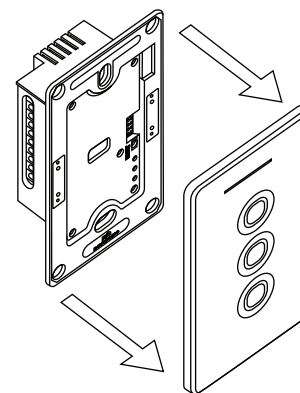


### Step 1:

Cut off power supply at circuit breaker or fuse before installation to avoid electrocution that may cause fire, shock or death.

## 3.1 Installation

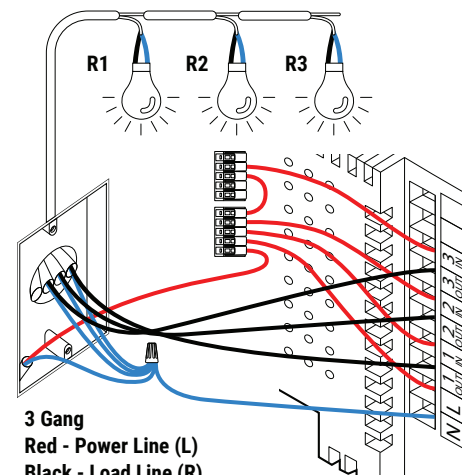
Pull front panel by hand to detach.



## 3.2 Wiring

### Step 2:

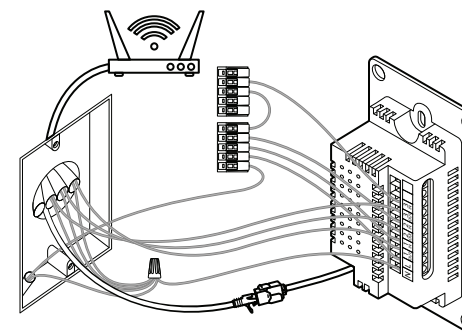
Wiring without LAN cable.



3 Gang  
 Red - Power Line (L)  
 Black - Load Line (R)  
 Blue - Neutral Line (N)

### Step 2:

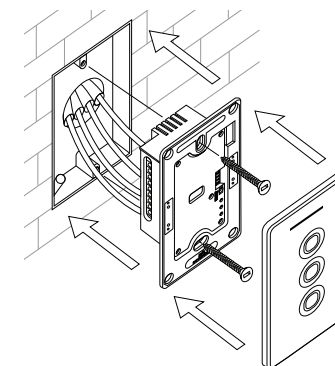
Wiring with LAN cable.



3 Gang  
 Use the communication cable to connect the LAN cable to the Wi-Fi router port.

### Step 3:

Fix the hub and connect the front panel.



## 4. Mobile Application

Please Download and install compatible APP from Google Play Store or Apple App Store.\*

Smart Life download link:

<https://play.google.com/store/apps/details?id=com.tuya.smartlife>

<https://apps.apple.com/ph/app/smart-life-smart-living/id1115101477>

Tuya download link:

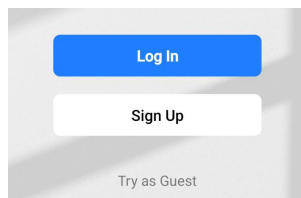
<https://play.google.com/store/apps/details?id=com.tuya.smart>

<https://apps.apple.com/ph/app/tuya-smart/id1034649547>



### 4.1 Account Registration

1. Register an account.



2. Choose your country then input your email to receive a verification code.

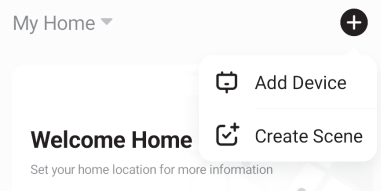
3. Input the verification code and set your password.

4. Once done, add a device.

There are two options to add a device:

Option 1:

By clicking plus sign at the top right corner.



Option 2:

By clicking add device at the center of the APP.



No devices

Add Device

### 4.2 To add Wired Hub/Gateway

Choose Gateway Control and click Gateway (Zigbee) and follow APP instructions.

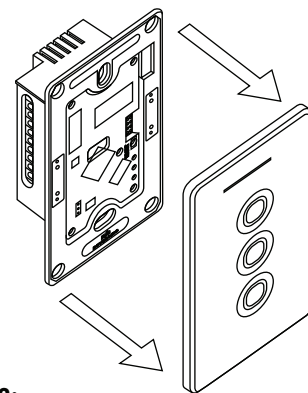
Gateway Control



Gateway (Zigbee)

To set device to pairing mode (please go to hub pairing instructions page)

Note: Make sure your mobile phone is connected to the same Wi-Fi network.

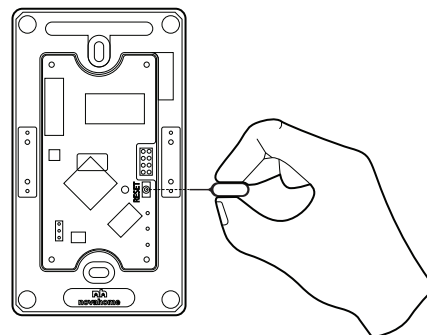


Step 2:

Ethernet Hub will automatically set to pairing mode when powered ON. Two green lights are ON when ready to pair.

To pair it to the APP, open APP: Add device -> Choose Gateway Control -> Gateway (Zigbee). Follow APP instructions.

For manual pairing, press reset and hold for 5 secs until blue light is ON and red light is flashing.



To reset:

To manually set pairing mode or to RESET press and hold reset button for 5 secs until two green lights are ON and ready to pair.

### 4.3 To add Wireless Hub/Gateway

Choose Gateway Control and click Wireless Gateway (Zigbee) and follow APP instructions. To set device to pairing mode (please go to hub pairing instructions page)

Gateway Control



Wireless Gateway (Zigbee)

Note: When connecting the gateway, make sure that the mobile phone is connected to 2.4GHz Wi-Fi, otherwise the gateway cannot be registered through the cloud, and the connection cannot be successful.

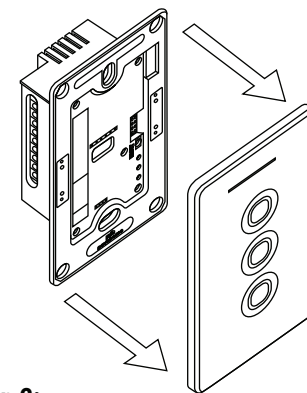
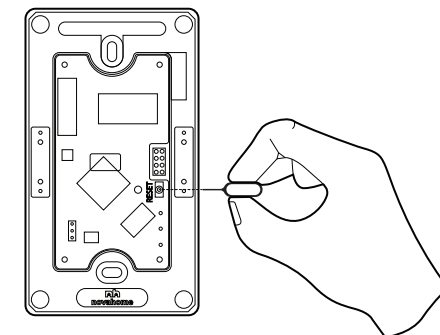
### 4.4 To add Switch

Choose Electrical and click Switch (Zigbee) and follow APP instructions.

Electrical



Switch (Zigbee)

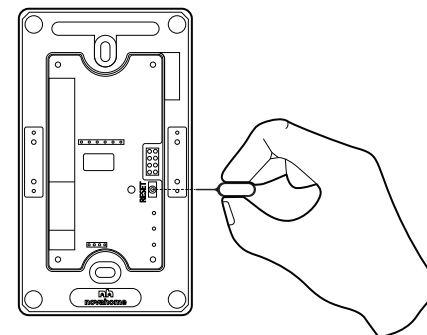


Step 2:

Wi-Fi Hub will automatically set to pairing mode when powered ON. Blue light is ON and the red light is blinking when ready to pair.

To pair to the APP, open APP: Add device -> Choose Gateway Control -> Wireless Gateway (Zigbee). Follow APP instructions.

For manual pairing, press reset and hold for 5 secs until two green lights appear.



To reset:

To manually set pairing mode or to RESET press and hold reset button for 5 secs. Blue light is ON and the red light is blinking when ready to pair.

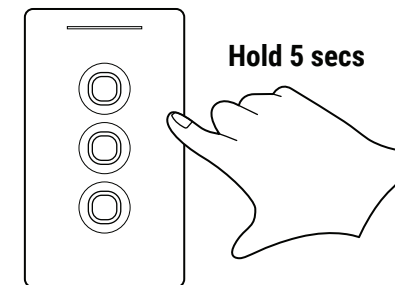
Note: When connecting the Wi-Fi Hub, make sure that the mobile phone is connected to 2.4GHz Wi-Fi, otherwise the Wi-Fi Hub cannot be registered through the cloud, and the connection cannot be successful.

### 5.3 Smart Touch Panel pairing/unpairing

1. Detach the smart touch panel from the main Hub. Pull by hand to detach.

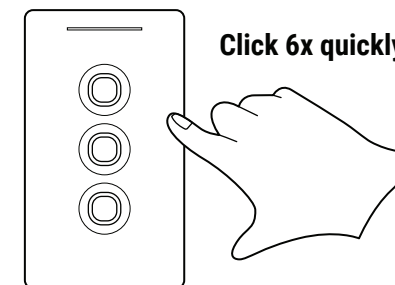
2. Attach the smart touch panel back to the main Hub to power ON.

3. Immediately within 5 secs from power ON, press and hold any button until the status led flashes.



Factory reset:

1. Detach the smart touch panel from the main Hub. Pull by hand to detach.
2. Attach the smart touch panel back to the main hub to power ON.
3. Immediately within 5 secs from power ON, press buttons 6 times quickly until the status led flashes. Pause 2 secs.
4. Press & hold for 3 seconds.



Note: Use same the button.

For more information please download extended manual at [www.novahome.ph](http://www.novahome.ph)

\*For more APP and installation information, please download the extended user manual.

## 5. Hub Pairing and Reset

### 5.1 Ethernet Hub Pairing and Reset

Note: Make sure the Switch Hub LAN wire is connected to the Wi-Fi router port. Refer to 3.2 Wiring, step 2 wiring with LAN.

To Pair

Step 1

Detach the smart touch panel to access hub reset button and led indicators.

### 5.2 Wi-Fi Hub Pairing and Reset

To Pair

Step 1

Detach smart touch panel to access hub reset button and led indicators.